

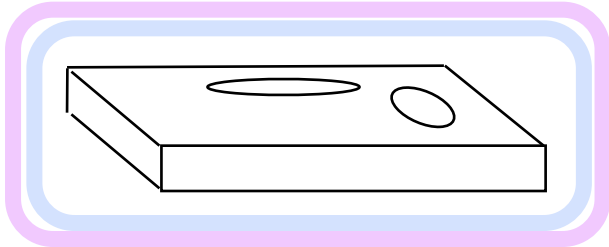
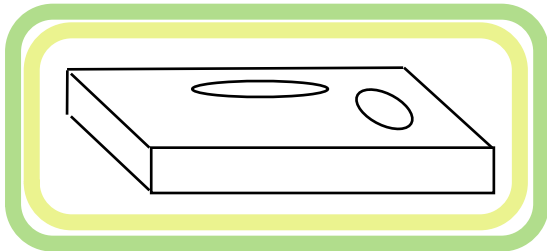
LeadingEdge Configuration and Prices Document – UK

Item line drawings or pics with tabulated data



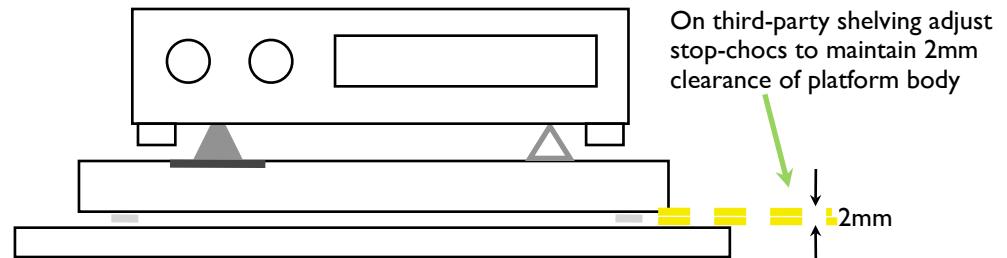
basic item description	ref	size	use with	suggested retail price inc VAT £
Simple description of product inc main technical features and other relevant info inc standard finish choices	part number	dimensions	other relevant components to match	the suggested sale price inc VAT @ 20%

Colour coded system used for sizing rack and platform configuration

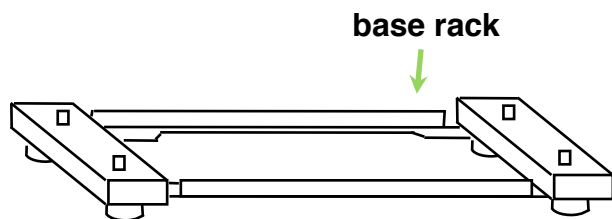


platform	ref	size (wxdxh)	use with	retail price inc VAT £
Two stainless steel inserts and acoustic labyrinth, EMI absorption, micro-hole panel under, stop-choc isolating feet with adjusters. Standard finishes - oak or cherry	PL1	490x410x63	BR1, BR2, R1a, R1b, R1c, R2a, R2b, R2c	940.00
	PL2	550x530x63	BR3, BR4, R3a, R3b, R3c, R4a, R4b, R4c	1024.00

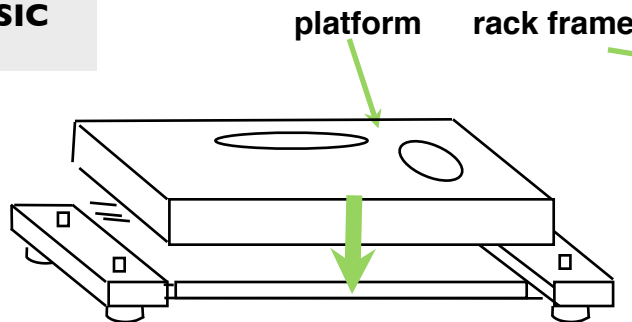
Configuration and setup guides



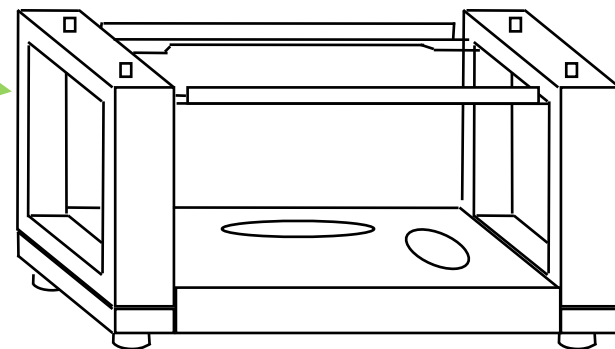
RACK BUILD EXAMPLE. SINGLE-WIDTH, FOR THREE COMPONENTS, SHOWING BASIC PROCESS AND KEY ITEMS.



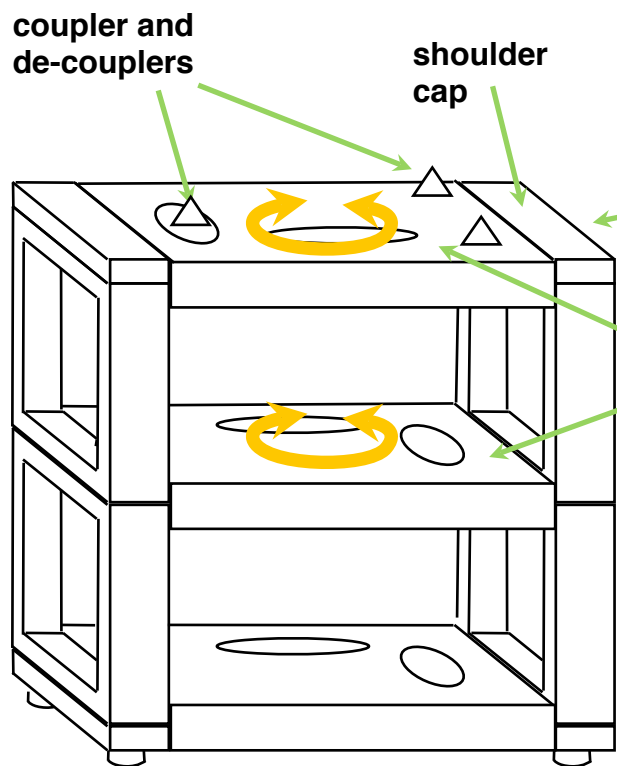
1. Position the base frame in the exact floor location required. Level by adjusting feet.



2. Position first platform onto base frame.



3. Carefully place first rack frame into position over the base frame. Remember to use 2 separator pieces.

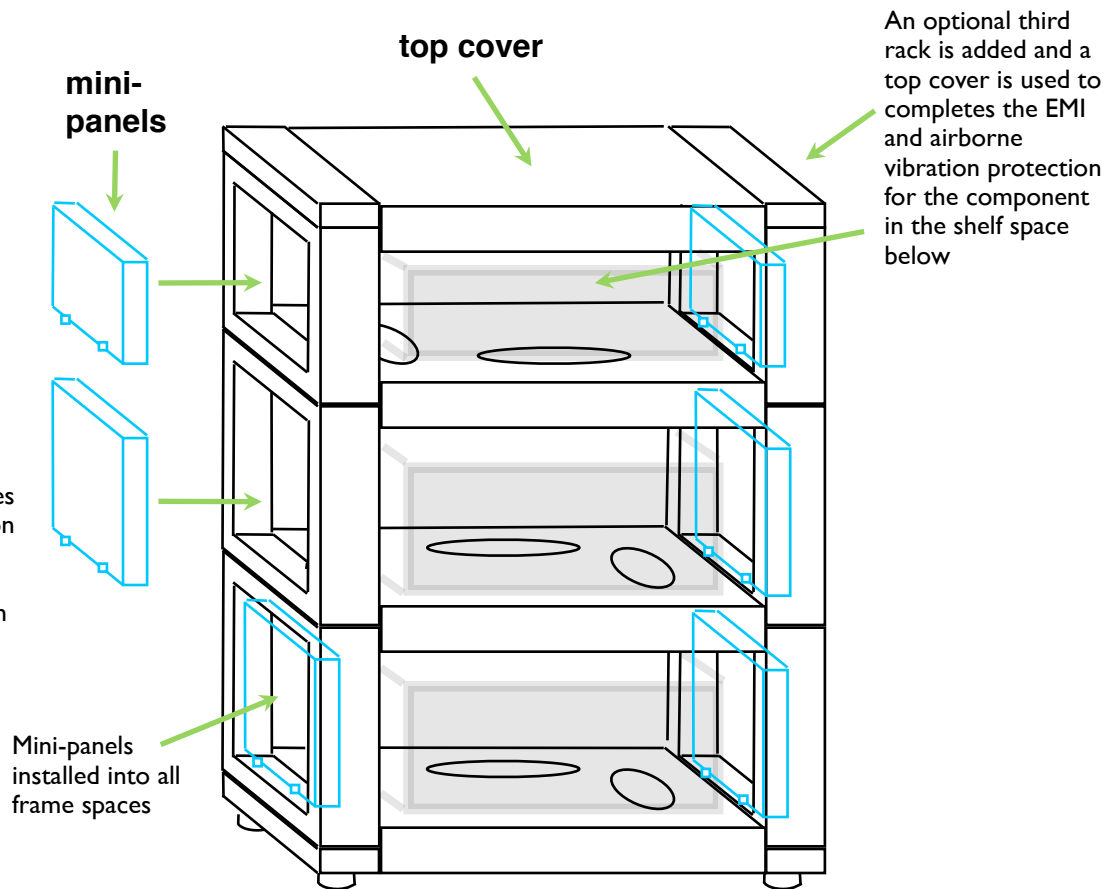


Shoulder caps are fitted to complete.

Platforms can be rotated 180 degrees to optimize position of inserts/coupler.

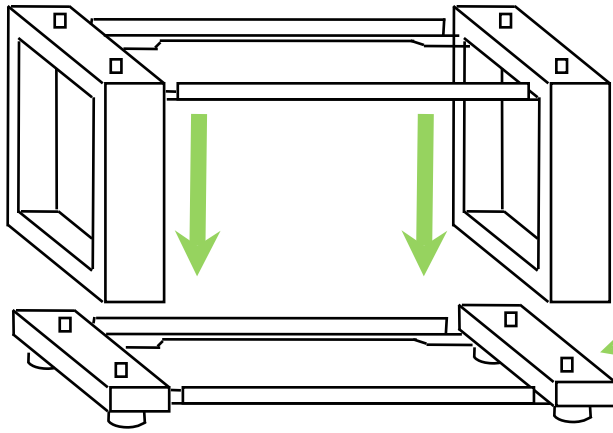
Level each platform individually

4. Continue to build the stack by adding second platform and second rack frame. Repeat to complete the rack to the required level.



5. Ultimate configuration with top cover and mini-panels

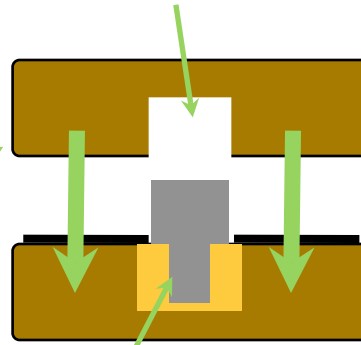
LOCATING AND STACKING PRINCIPLES



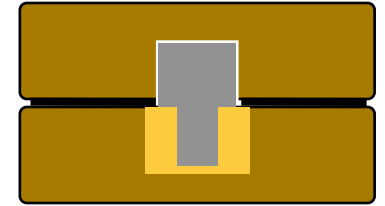
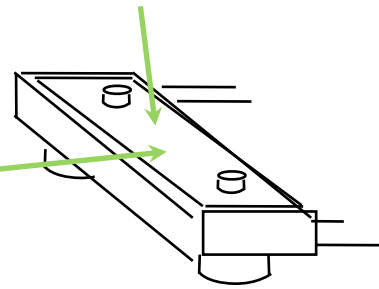
underside of rack frames have corresponding location holes

ensure separator pieces are used between every layer. Supplied.

once located, rack frames simply drop into position and once in place are completely stable.



threaded brass insert and steel machine bolt form location spigots



ADJUSTMENTS AND CLEARANCES

Max component case height is 40mm less than useable internal height – allowing for 35mm height of coupler set and 5mm for clearance.

Keep clearance equal all round to ensure body of platform is not touching rack structure.

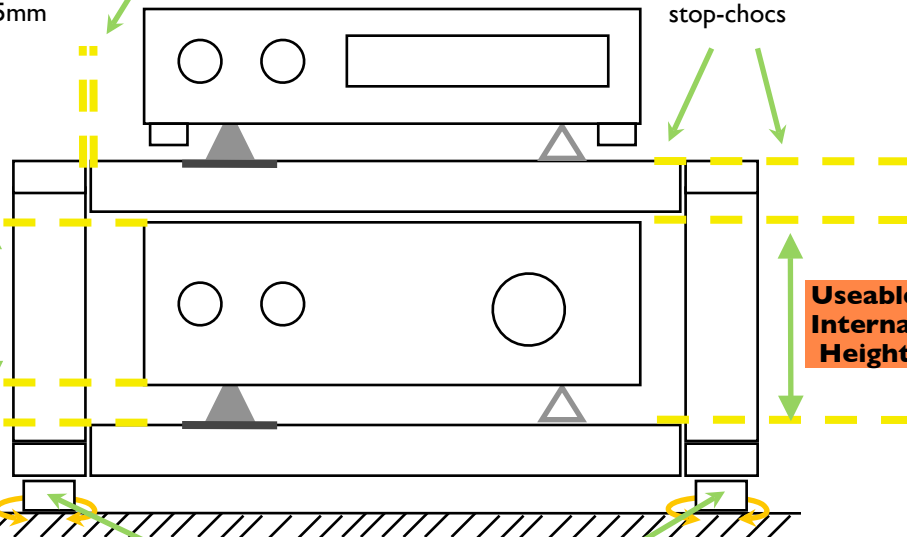
Adjust stop-chocks to lift platform top surface flush with rack or shoulder cap. Fine adjust to level. Keep load even on all stop-chocs

Max Case Height

Useable Internal Height

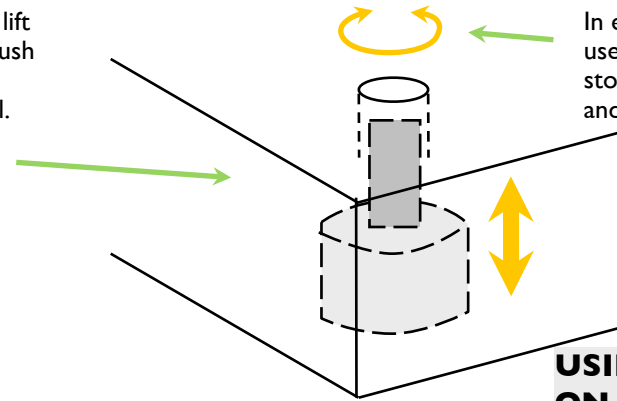
Coupler height 35mm

Rotate body of large stop-choc feet to level complete rack assembly



PLATFORM LEVELING

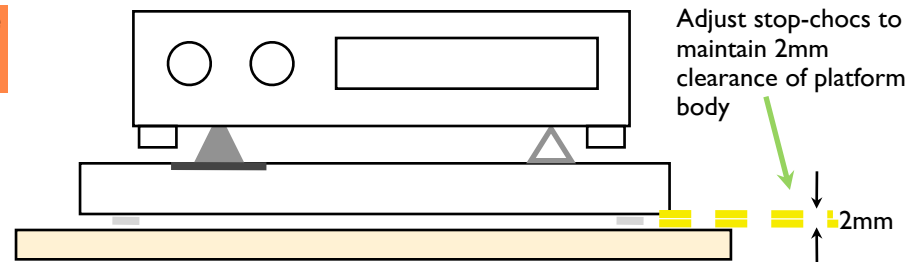
In each corner of platform use 6mm Allen key and rotate stop-choc foot to raise/lower and level platform.



USING PLATFORMS ON OTHER SHELVES

Adjust stop-chocs to maintain 2mm clearance of platform body

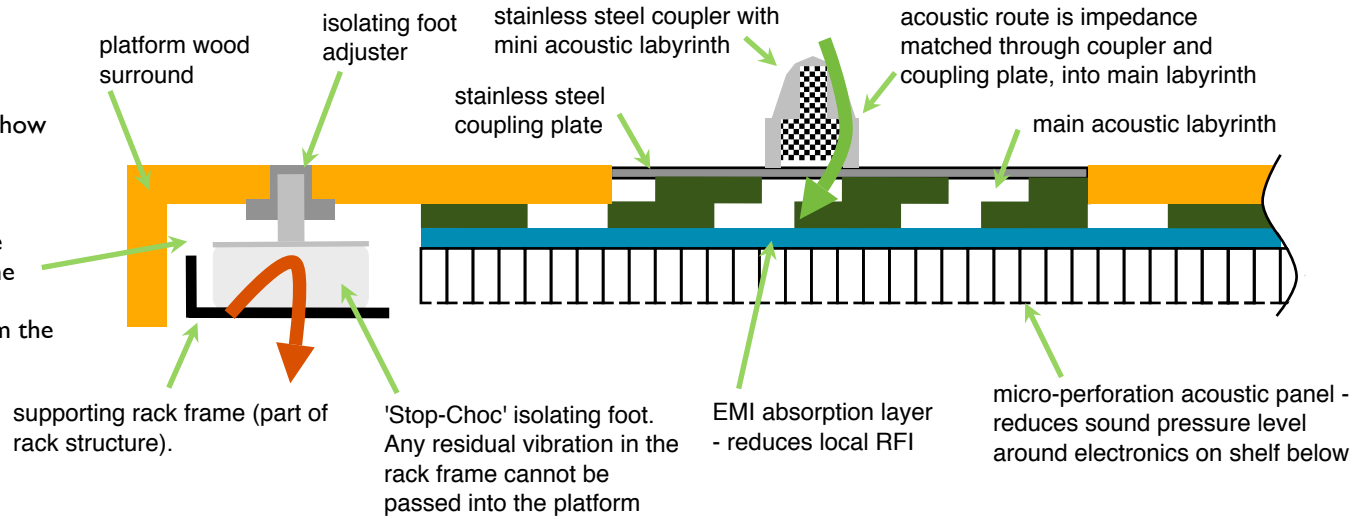
Non-LeadingEdge shelf or rack



SETUP - COUPLING TRIPOD AND DECOUPLING CONES

This is a schematic cross section of a platform showing how all the elements of the coupling tripod, internals of the platform and the stop-choc isolating feet.

Note that there is no contact between the rack and the platform, other than through the stop-choc feet. Also, the open sub-frame of the rack leaves the lower micro-perforation panel fully exposed to absorb acoustics from the air space below.

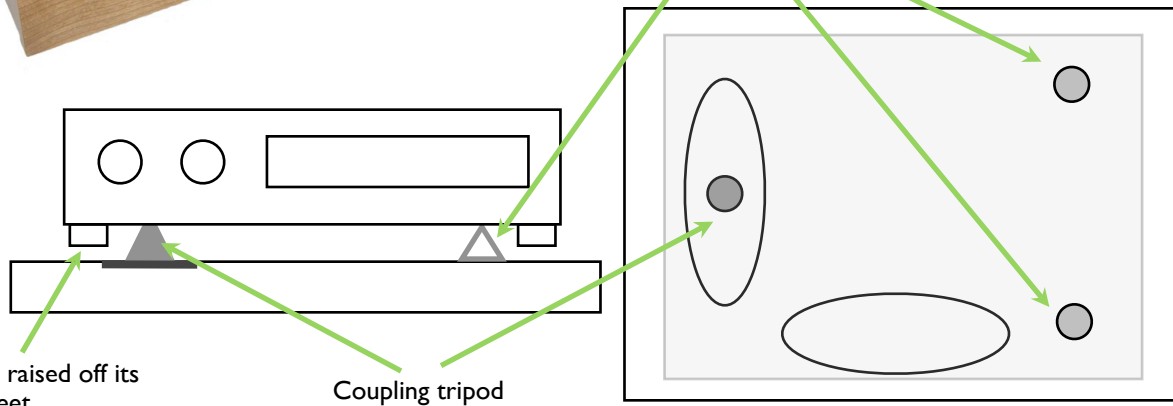
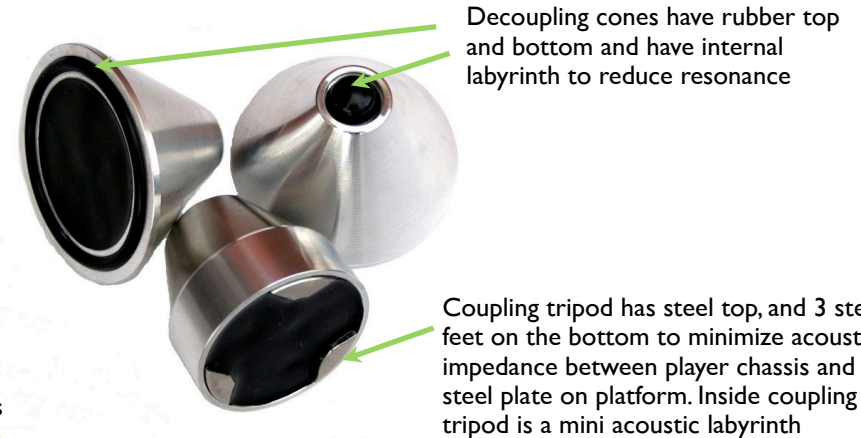


Coupling tripod can be used on either one of the steel plates.

Decoupling cones positioned to best support the component



Small hole in each corner for height adjustment and leveling

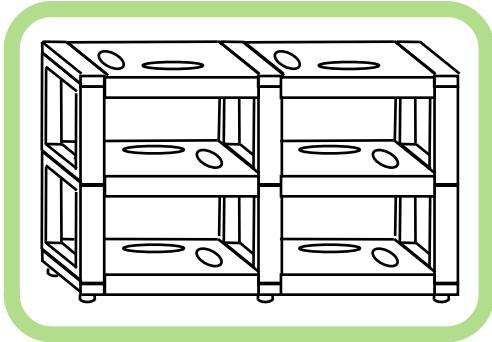


RACK SIZE AND CONFIGURATION OPTIONS

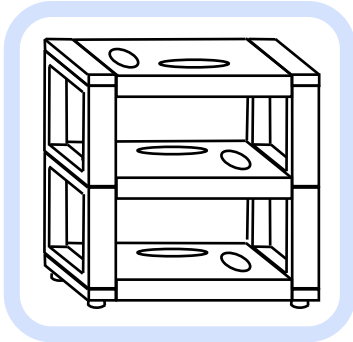
Regular Single-width



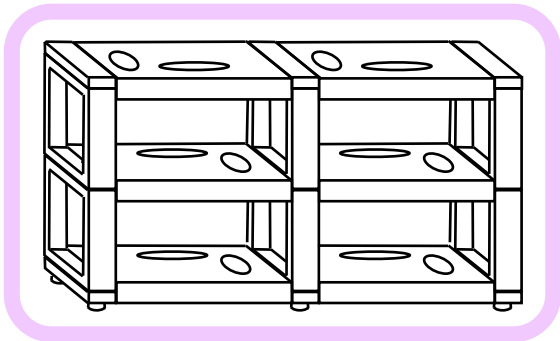
Regular Double-width



Large Single-width

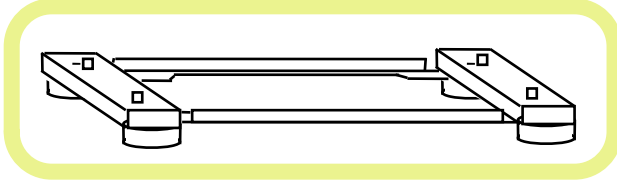


Large Double-width

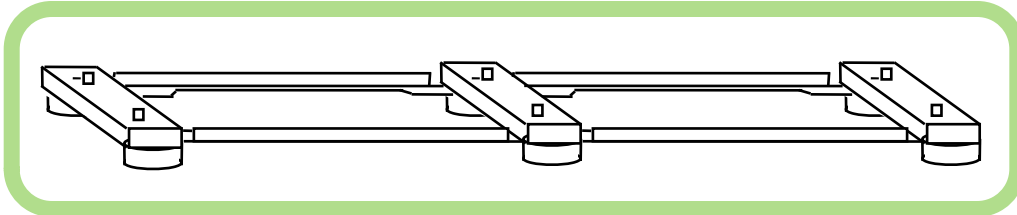


Rack Sizes and options	rack system	footprint (wxd)	max width and depth of electronics (wxd)
<p>There are 2 platform size choices and single-width or double-width rack options.</p> <p>Choose your requirement for number and size of electronic components and floor footprint, then use colour coding for selection of constituent parts.</p> <p>See 'racks' to determine shelf height options.</p> <p>Standard finish oak, cherry or mahogany with semi-gloss lacquer.</p>	regular single width	616x410	490x410
	regular double-width	1,172x410	490x410
	large single width	676x530	550x530
	large double width	1,292x530	550x530

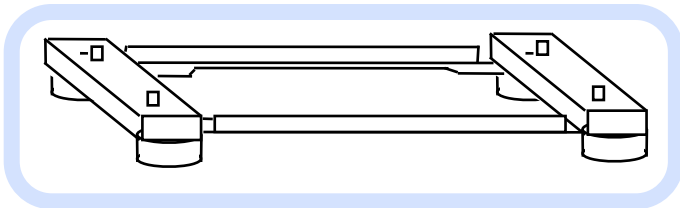
regular base rack single-width – BR1



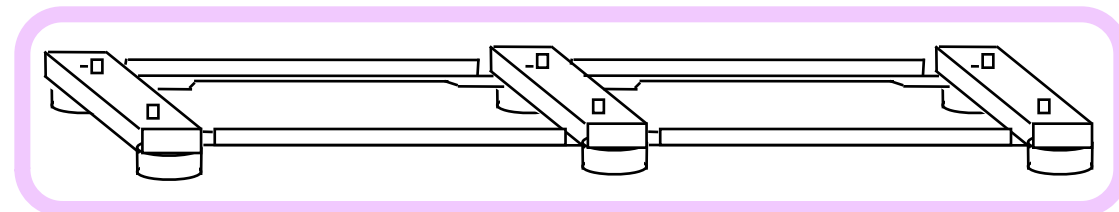
regular base rack double-width – BR2



large base rack single-width – BR3



large base rack double-width – BR4

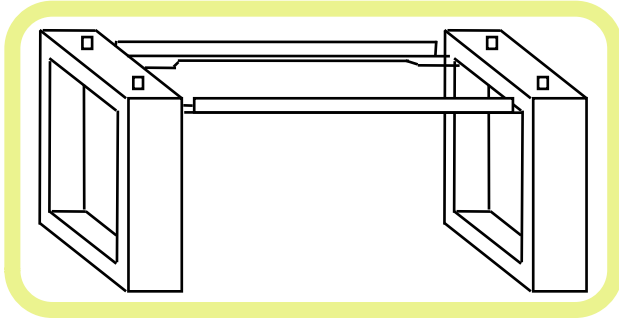


BASE RACKS

base rack	ref	size	retail price inc VAT £
Wood side members, steel cross-struts. Supplied with 2 or 3 compliant separator pieces and 4 or 6 large isolating feet. Standard finishes - oak or cherry.	BR1	616x410x 60	1084.00
	BR2	1,172x410x60	1628.00
	BR3	676x530	1110.00
	BR4	1,292x530x60	1664.00

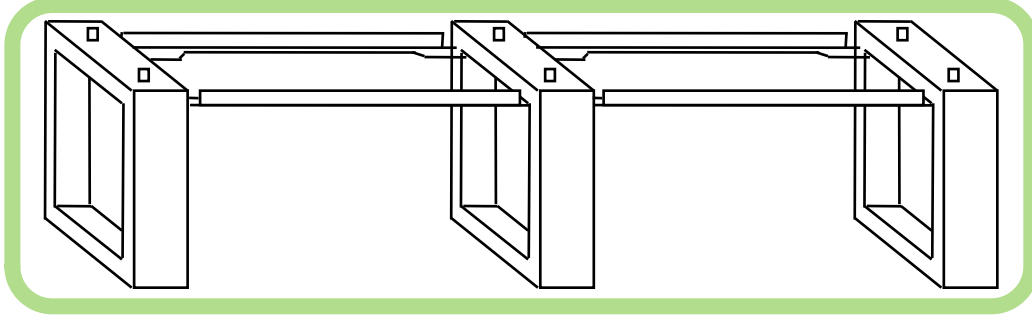
RACK FRAMES

regular rack frame single-width – R1a, R1b, R1c

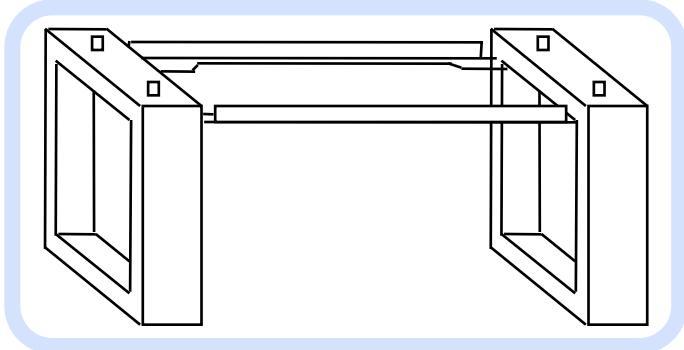


Single-width frames supplied with two compliant separator pieces. Double-width frames are supplied with three separator pieces.

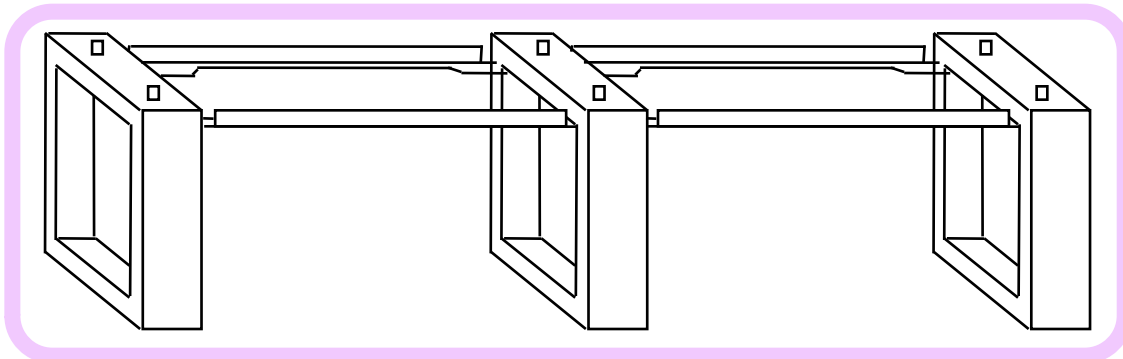
regular rack frame double-width – R2a, R2b, R2c



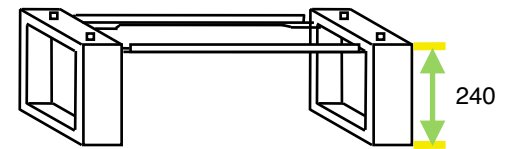
large rack frame single-width – R3a, R3b, R3c



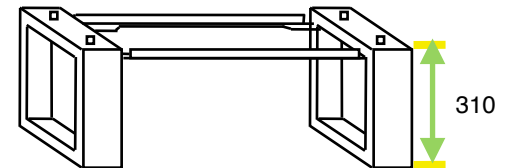
large rack frame double-width – R4a, R4b, R4c



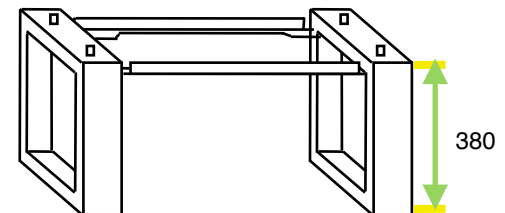
ref	size (wxdxh)	max case height	useable internal height	retail price inc VAT £
R1a	616x410x240	140	180	808.00
R1b	616x410x310	210	250	816.00
R1c	616x410x380	280	320	828.00
R2a	1,172x410x240	140	180	1210.00
R2b	1,172x410x310	210	250	1224.00
R2c	1,172x410x380	280	320	1240.00
R3a	676x530x240	140	180	832.00
R3b	676x530x310	210	250	840.00
R3c	676x530x380	280	320	852.00
R4a	1,292x530x240	140	180	1248.00
R4b	1,292x530x310	210	250	1264.00
R4c	1,292x530x380	280	320	1278.00



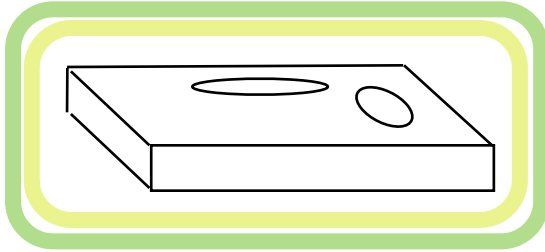
Example of racks R1a, R1b, R1c.



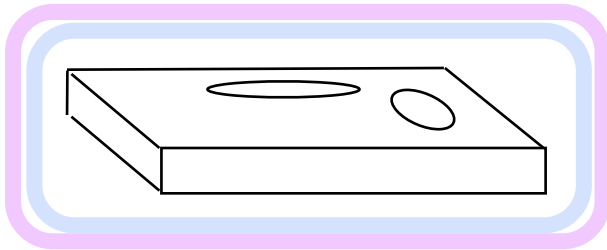
Select combination of rack heights, in chosen footprint size, to meet system requirements.



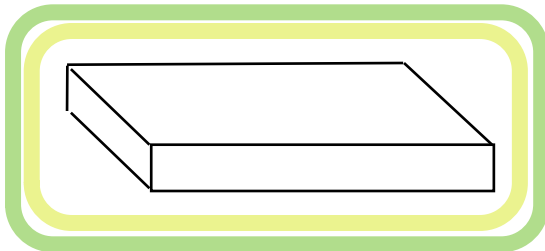
regular platform – PL1



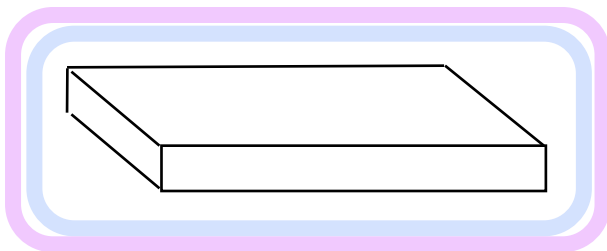
large platform – PL2



regular top-cover – TC1



large top-cover – TC2



PLATFORMS AND TOP COVERS

platform	ref	size (wxdxh)	use with	retail price inc VAT £
Two stainless steel inserts and acoustic labyrinth, EMI absorption, micro-hole panel under, stop-choc isolating feet with adjusters. Standard finishes - oak or cherry	PL1	490x410x63	BR1, BR2, R1a, R1b, R1c, R2a, R2b, R2c	940.00
	PL2	550x530x63	BR3, BR4, R3a, R3b, R3c, R4a, R4b, R4c	1024.00

top cover	ref	size (wxdxh)	use with	retail price inc VAT £
Same build as a platform but no stainless steel inserts and no labyrinth. But still contains EMI absorption, micro-hole panel under and stop-choc isolating feet with adjusters. Standard finishes - oak or cherry.	TC1	490X410X63	BR1, BR2, R1a, R1b, R1c, R2a, R2b, R2c	816.00
	TC2	550x530x63	BR3, BR4, R3a, R3b, R3c, R4a, R4b, R4c	836.00

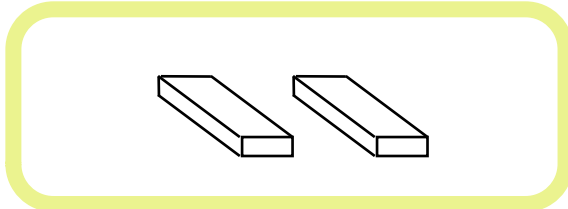
COUPLER AND DECOUPLER SET AND SHOULDER CAPS

coupler and decouplers set – CDS1

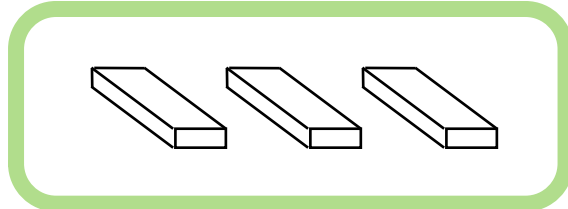


coupling tripod and two decoupling cones (set)	ref	size (h)	use with	retail price VAT inc £
Tripod high-carbon steel for correct impedance matching. Decoupling cones are aluminum. Both with mini acoustic labyrinth for resonance reduction	CDS1	35 mm	PL1, PL2	400.00

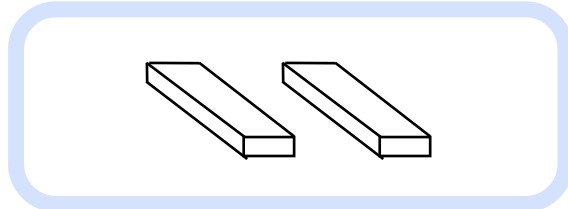
shoulder caps regular pair – SC1



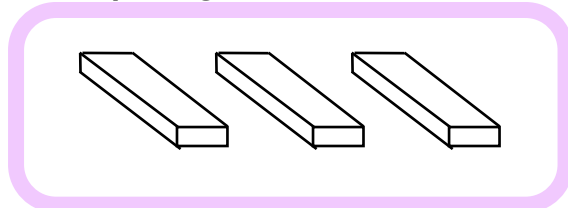
shoulder caps regular three – SC2



shoulder caps large pair – SC3



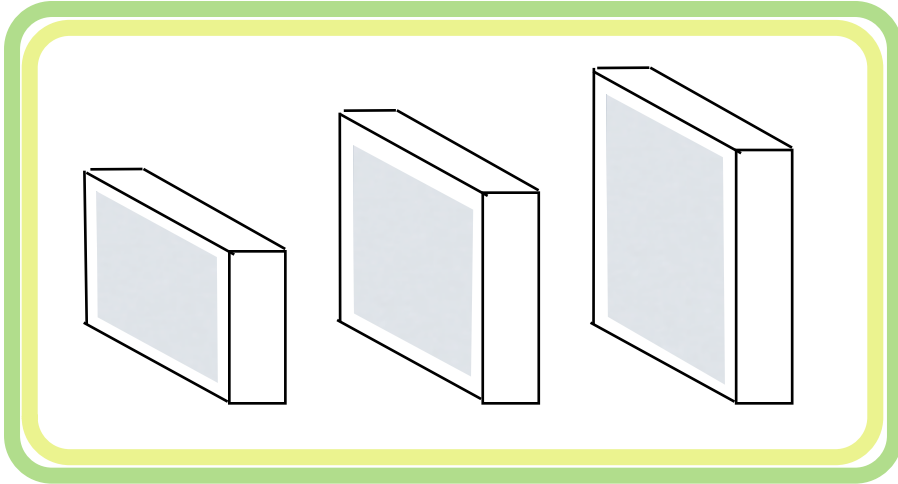
shoulder caps large three – SC4



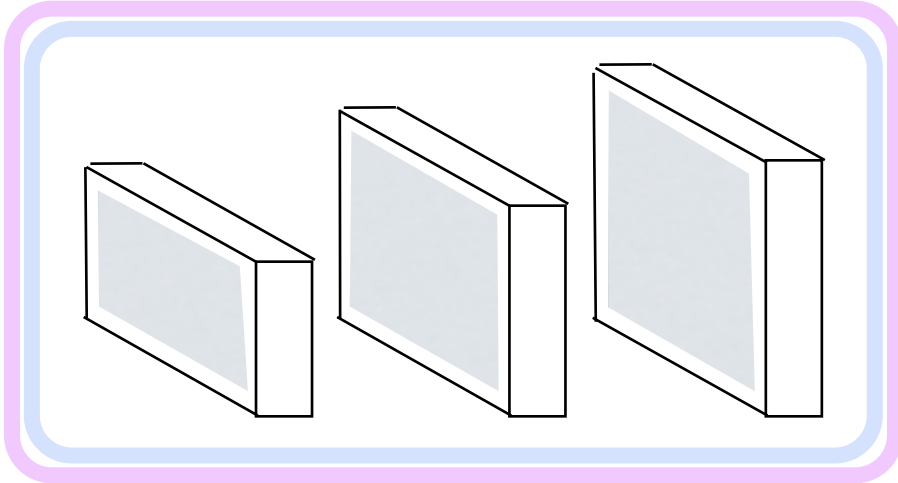
shoulder caps	ref	sizes (lxwxh)	use with	retail price VAT inc £
Wood side pieces to finish top of rack assembly. Standard finishes - oak or cherry.	SC1	410x60x30 (pair)	R1a, R1b, R1c	120.00
	SC2	410x60x30 (three)	R2a, R2b, R2c	180.00
	SC3	530x60x30 (pair)	R3a, R3b, R3c	132.00
	SC4	530x60x30 (three)	R4a, R4b, R4c	200.00

MINI PANELS

mini panels regular – MP1a, MP1b, MP1c



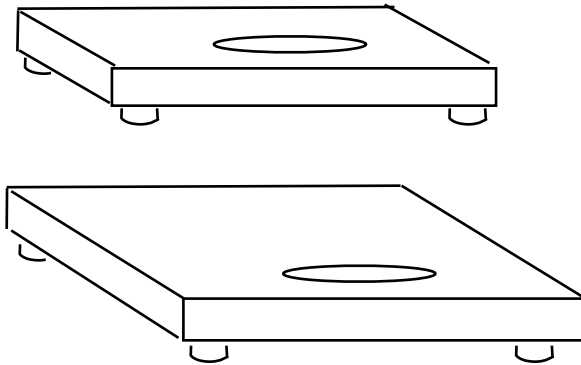
mini panels large – MP2a, MP2b, MP2c



mini-panels	ref	sizes (wxhxd)	use with	retail price VAT inc £
Micro-hole surface on both sides. EMI absorptive layer within. Standard finishes - oak or cherry. Priced Individually	MP1a	344x174x40	R1a, R2a	386.00
	MP1b	344x244x40	R1b, R2b	386.00
	MP1c	344x314x40	R1c, R2c	386.00
	MP2a	464x174x40	R3a, R4a	386.00
	MP2b	464x244x40	R3b, R4b	386.00
	MP2c	464x314x40	R3c, R4c	386.00

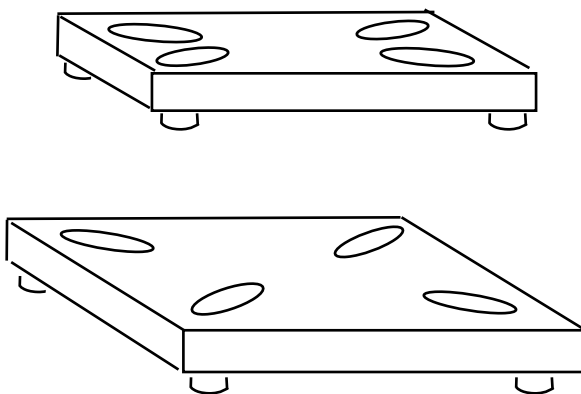
AMP AND SPEAKER PLATFORMS

amp platforms – AP1, AP2



amp platform - floor standing	ref	sizes (wxdxh)	retail price VAT inc £
Single stainless steel insert and double-layer acoustic labyrinth plus EMI absorption. No micro-hole panel under. Standard finishes - oak or cherry requires coupler set	AP1	380x380x63	1324.00
	AP2	500x500x63	1360.00

speaker platforms – SP1, SP2



speaker platform - floor standing	ref	sizes (wxdxh)	retail price VAT inc £
Four stainless steel insert and double-layer acoustic labyrinth plus EMI absorption. No micro-hole panel under. Standard finishes - oak or cherry use speaker spikes but may require coupling discs – consult your dealer. solution depends on speaker type.	SP1	380x380x63	1372.00
	SP2	500x500x63	1410.00

ALL PLATFORM AND RACK COMPONENTS ENHANCED FINISH OPTIONS

About Finishes on the LeadingEdge Rack and Platform components

In order to meet your customer's requirements for the overall finish and look of his LeadingEdge rack and platform system, you will need this information to advise and price all the available options.

1. Standard options.

The standard finish options that are available for all the rack and platform components (wooden parts) are:

- Light Oak
- Cherry
- Mahogany

There is no additional cost to the main pricing for any of these three finishes. With these finishes they have a semi-gloss lacquer over the standard veneers. You simply specify which standard veneer type you want for your order.

2. Semi-gloss options with non-standard veneers or paint finishes.

You can have the parts finished in any normally available solid colour paint, or our range of fancy veneers (please enquire) with the semi-gloss lacquer applied over.

The semi-gloss finish is still glossy but it does not have the very deep gloss that is produced by the multiple layers of the piano gloss finish.

For this option you must apply the additional cost for EVERY ITEM that is required, as shown in the Semi-Gloss pricing.

3. Piano-gloss options over all veneers or paint finishes.

You can have the parts finished in any normally available solid colour paint, or any available veneers (please enquire) with the piano-gloss lacquer applied over.

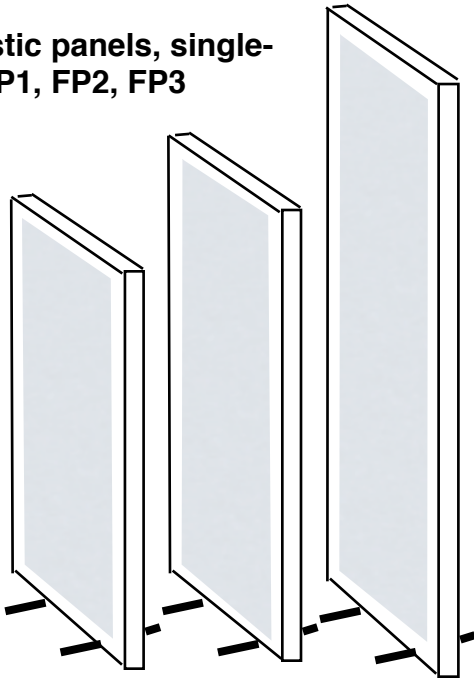
This is a very deep piano lacquer built up in layers with hand polishing at each stage.

For this option you must apply the additional cost for EVERY ITEM that is required, as shown in the Piano-Gloss pricing

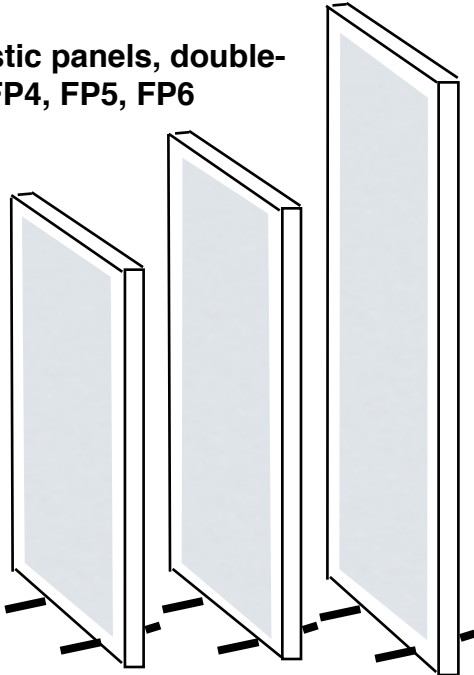
Semi-Gloss over colour paint and non-standard veneers	ref	Finish for these components	retail price VAT inc £
Semi-gloss finish over any standard solid colour paint or non-standard veneers. The semi-gloss finish is still glossy but it does not have the very deep gloss that is produced by the multiple layers of the piano gloss finish. Priced for each individual item in this finish	SG1	PL1/2, TC1/2, MP1/2, AP1/2, SP1/2	160.00
	SG2	R1/R3	436.00
	SG3	R2/R4	656.00
	SG4	SC1/3, BR1/3	80.00
	SG5	SC2/4, BR2/4	120.00

Piano-Gloss over colour paint and all veneers	ref	Finish for these components	retail price VAT inc £
Piano-gloss finish over any standard solid colour paint or non-standard veneers. Very deep piano lacquer built up in layers with hand polishing at each stage. Priced for each individual item in this finish	PG1	PL1/2, TC1/2, MP1/2, AP1/2, SP1/2	220.00
	PG2	R1/R3	664.00
	PG3	R2/R4	996.00
	PG4	SC1/3, BR1/3	160.00
	PG5	SC2/4, BR2/4	236.00

flat acoustic panels, single-sided – FP1, FP2, FP3



flat acoustic panels, double-sided – FP4, FP5, FP6



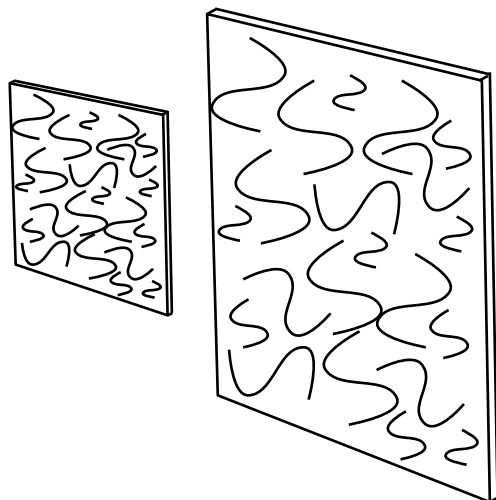
FLAT ACOUSTIC PANELS

flat acoustic panel single sided (pair) - wall/ceiling mount	ref	size mm	effective surface area m ² (each)	retail price VAT inc £
Flat micro-hole acoustic panel. Micro-hole surface on one side for wall/ceiling mount (light weight). Feet included. Standard finishes Light Oak, Cherry, Mahogany, Off-white. Other colors available on request.	FP1	600x800	0.5	824.00
	FP2	600x1100	0.7	948.00
	FP3	600x1600	1.0	1316.00
IMPORTANT: Priced, Packed and Shipped as a Pair				

flat acoustic panel double sided (pair) - free-standing	ref	size mm	effective surface area m ² (each)	retail price VAT inc £
Flat micro-hole acoustic panel. Micro-hole surface on both sides for free-standing use. Feet included. Standard finishes Light Oak, Cherry, Mahogany, Off-white. Other colors available on request.	FP4	600x800	1.0	964.00
	FP5	600x1100	1.4	1132.00
	FP6	600x1600	2.0	1544.00
IMPORTANT: Priced, Packed and shipped as a Pair				

wall and ceiling mounting kits for flat acoustic panels	ref	size	use with	retail price VAT inc £
For wall mounting or ceiling mounting of flat acoustic panels. One kit required per panel.	CK1	200mm - 1.0m drop	FP1 - FP6	80.00
	SD2	200mm standoff	FP1 - FP6	50.00

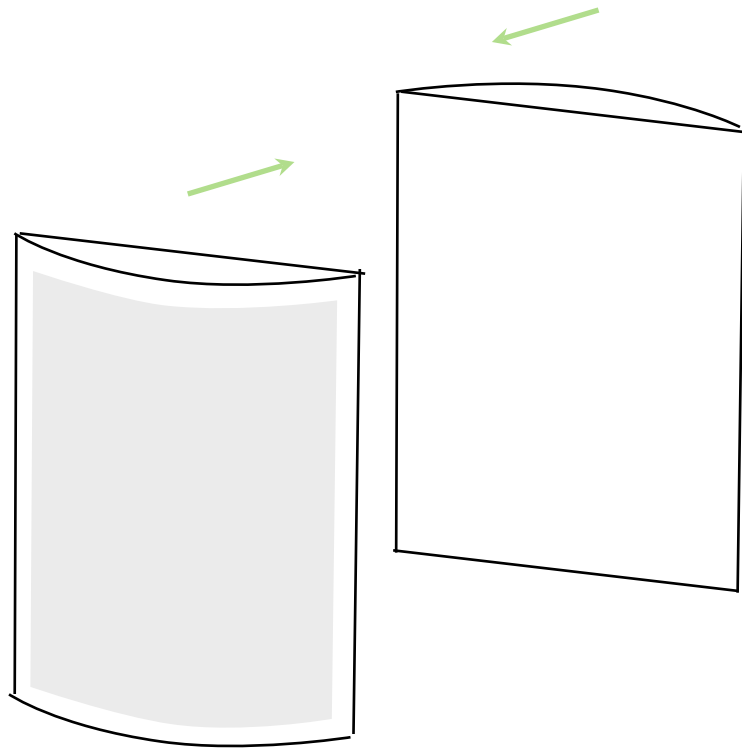
spline diffuser – SD1, SD2



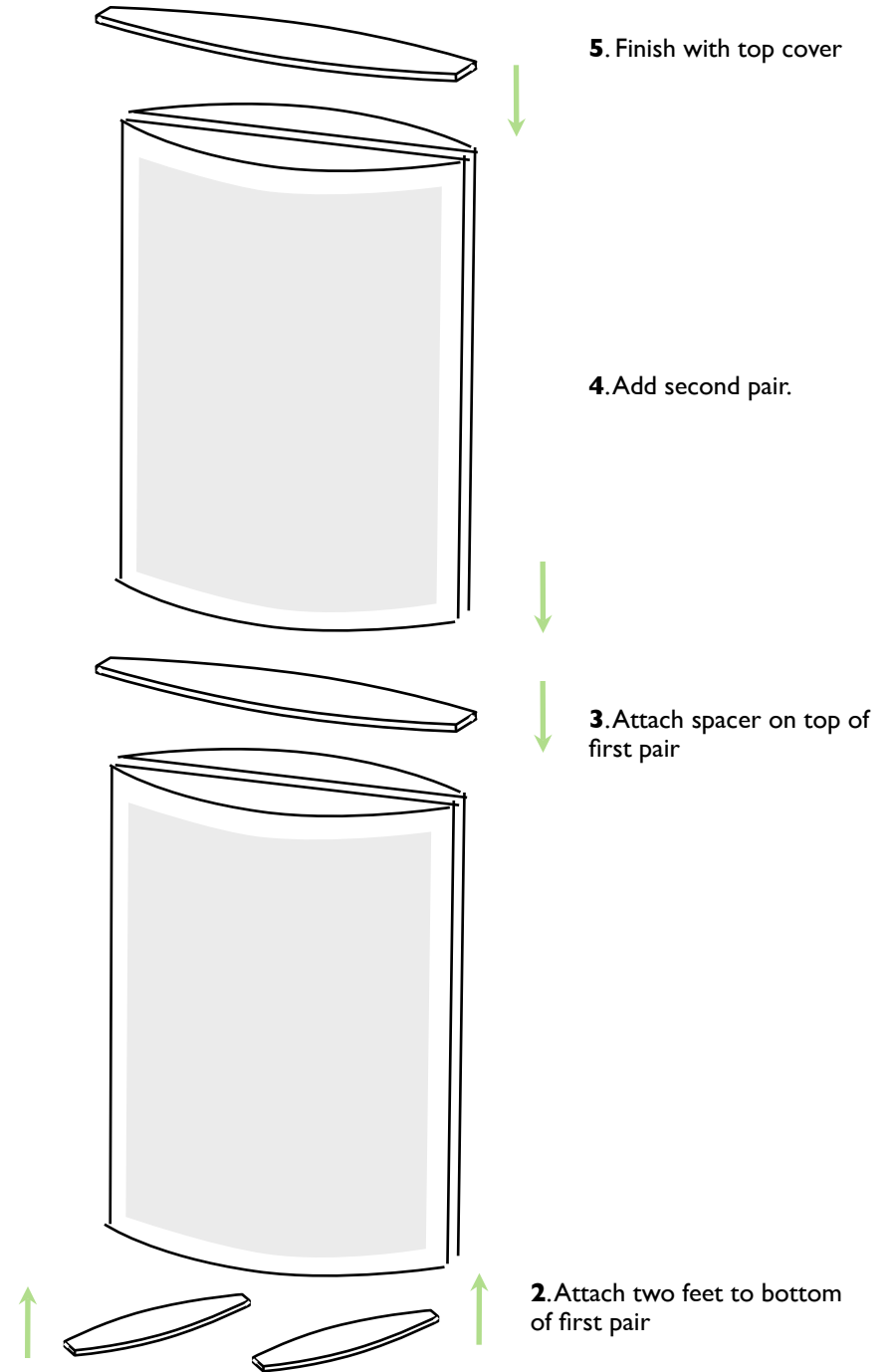
spline diffuser panel single sided	ref	size mm (wxhxd)	effective surface area m ² (each)	retail price VAT inc £
Three-dimensional diffuser based on spline mathematics. Plain/flat rear surface. Can be used back-to-back in pairs for free-standing use or singly for wall/ceiling mounting. Standard finishes - white or grey.	SD1	600x600x150	0.36	410.00
	SD2	1230x1230x200	1.52	1136.00

SETUP - D-PANEL STACK

this process requires two persons



1. Place first two 'D' panels back-to-back

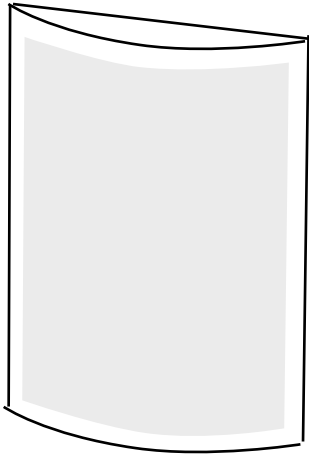


5. Finish with top cover

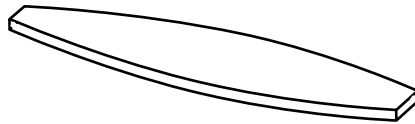
4. Add second pair.

3. Attach spacer on top of first pair

2. Attach two feet to bottom of first pair

'D' ACOUSTIC PANELS**'D' Panel – DP1, DP2, DP3, DP4, DP5, DP6**

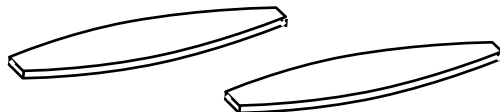
curved acoustic panel ('D' panel) - single sided	ref	sizes (wxh)	retail price VAT inc £
Curved front with micro-hole acoustic surface. Plain/flat rear surface. Can be used back-to-back in pairs for free-standing use or singly for wall/ceiling mounting. Standard finishes - oak or cherry.	DP1	600x800	1332.00
	DP2	600x1100	1332.00
	DP3	900x800	1380.00
	DP4	900x1100	1380.00
	DP5	1200x800	1476.00
	DP6	1200x1100	1476.00

double 'D' panel top cover – DPT1, DPT2, DPT3, DPT4

Double 'D' panel top cover	ref	sizes	use with	retail price VAT inc £
Top cover for use when 2 'D' panels are used back-to-back. Finished in grey.	DPT1	620x170x20	DP1, DP2	172.00
	DPT2	920x215x20	DP3, DP4	190.00
	DPT3	1220x270x20	DP5, DP6	220.00

double 'D' panel stack spacer – DPS1, DPS2, DPS3, DPS4

D' panel - quad stack spacer	ref	sizes	use with	retail price VAT inc £
Spacer for use when 4 'D' panels are stacked. Finished in grey.	DPS1	620x170x20	DP1, DP2	172.00
	DPS2	920x215x20	DP3, DP4	190.00
	DPS3	1220x270x20	DP5, DP6	220.00

double 'D' panel feet pair – DPF1

Double 'D' panel feet - pair	ref	sizes	use with	retail price VAT inc £
Feet for use when 2 'D' panels are used back-to-back. Finished in grey.	DPF1	500x100x24	DP1, DP2, DP3, DP4	380.00