

# LeadingEdge Configuration And Pricing Document - Mainland Europe

**TRADE PRICE, RETAIL PRICE – See right hand columns. Does not include sales tax (VAT)**

basic item description	options	ref	suggested sale price ex VAT€
Simple description of product inc main technical features and other relevant info inc standard finish choices	dimensions	part number ref and cross ref to other parts as required	<b>the suggested sale price ex VAT. Add VAT for different countries</b>

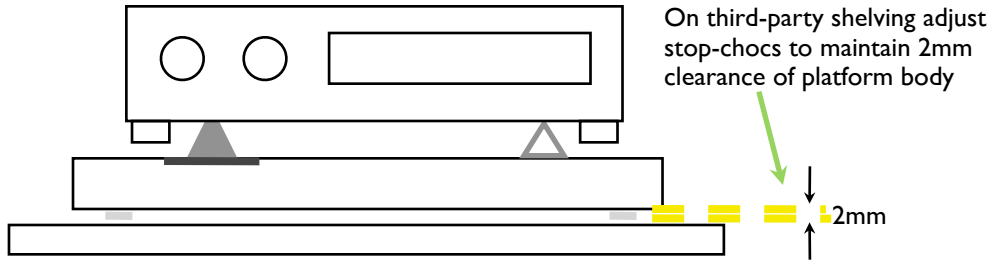
**EXAMPLE DATA – Line drawings or pics plus tabulated description and prices**

**coupler and decouplers set – CDS1**

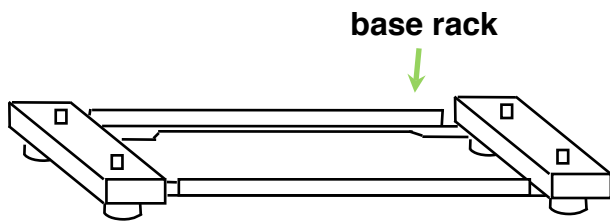


coupling tripod and two decoupling cones (set)	ref	size	use with	suggested sale price € (VAT ex)
Tripod high-carbon steel for correct impedance matching. Decoupling cones are aluminum. Both with mini acoustic labyrinth for resonance reduction	CDS1	<b>35 mm height</b>	PL1, PL2	415.00

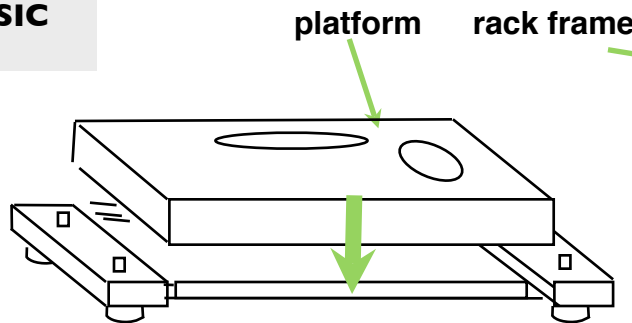
**EXAMPLE DATA – Configuration and setup guides**



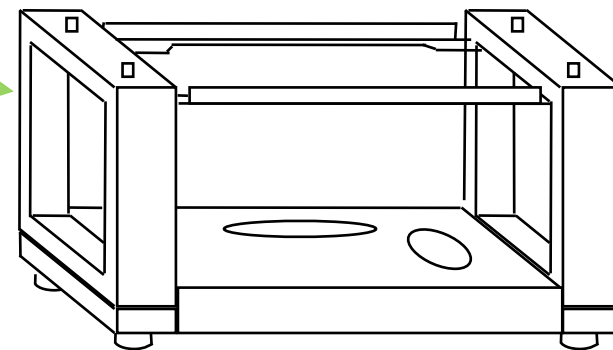
**RACK BUILD EXAMPLE. SINGLE-WIDTH, FOR THREE COMPONENTS, SHOWING BASIC PROCESS AND KEY ITEMS.**



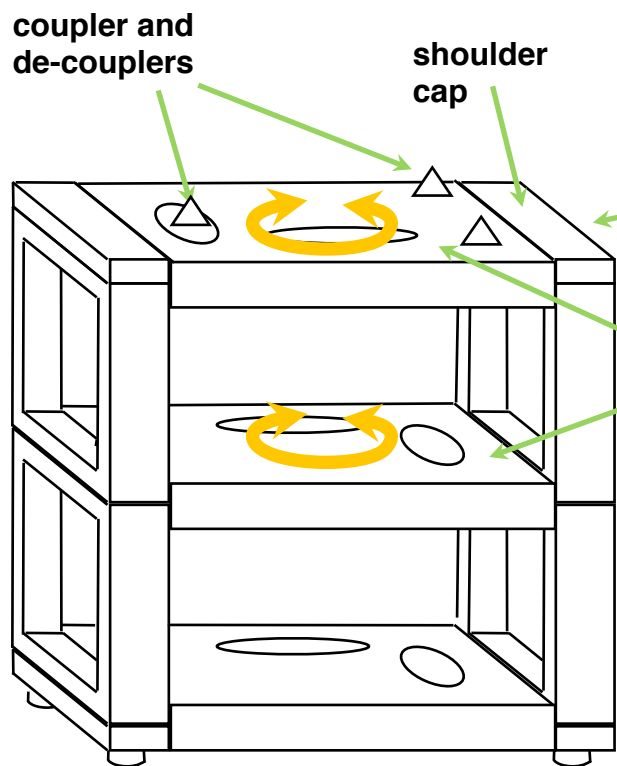
1. Position the base frame in the exact floor location required. Level by adjusting feet.



2. Position first platform onto base frame.



3. Carefully place first rack frame into position over the base frame. Remember to use 2 separator pieces.

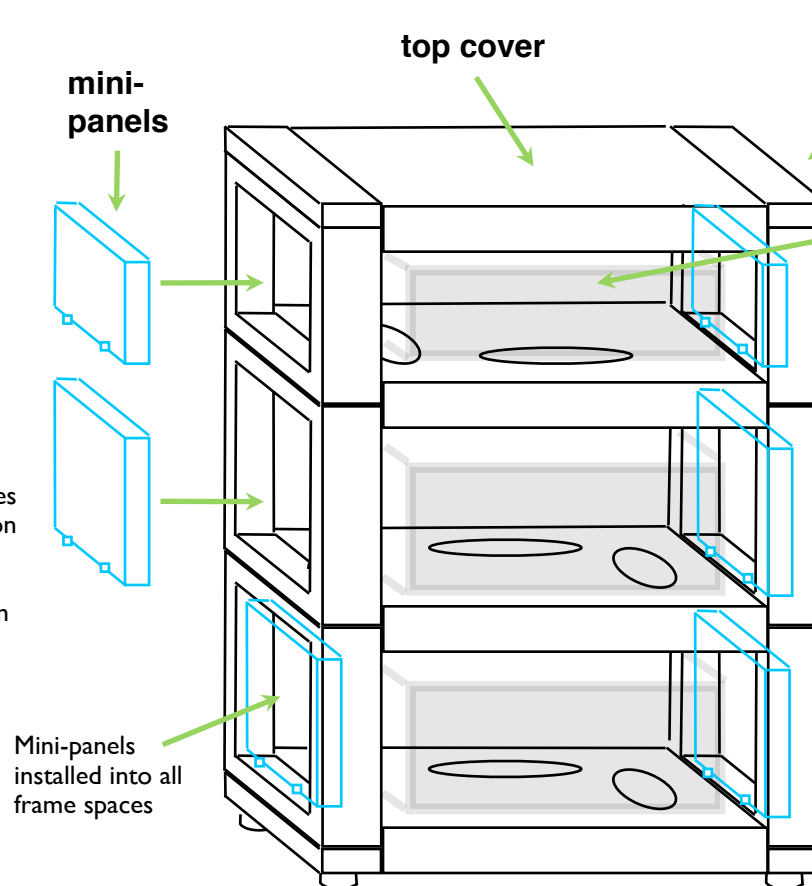


Shoulder caps are fitted to complete.

Platforms can be rotated 180 degrees to optimize position of inserts/coupler.

Level each platform individually

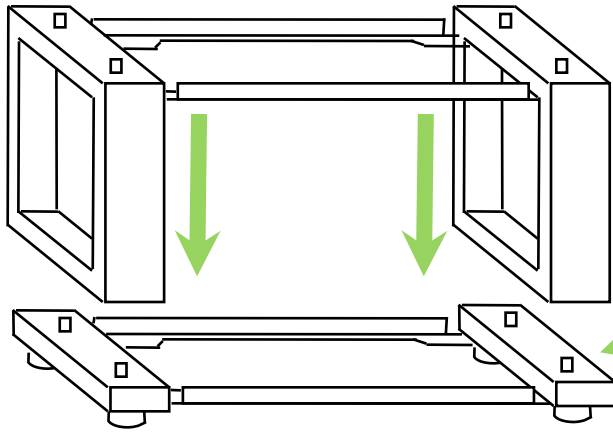
4. Continue to build the stack by adding second platform and second rack frame. Repeat to complete the rack to the required level.



An optional third rack is added and a top cover is used to completes the EMI and airborne vibration protection for the component in the shelf space below

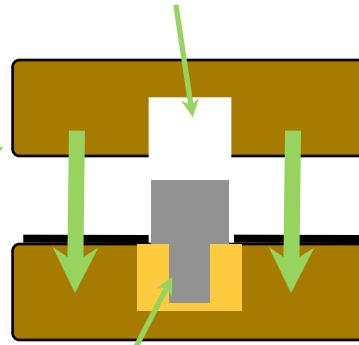
5. Ultimate configuration with top cover and mini-panels

### LOCATING AND STACKING PRINCIPLES

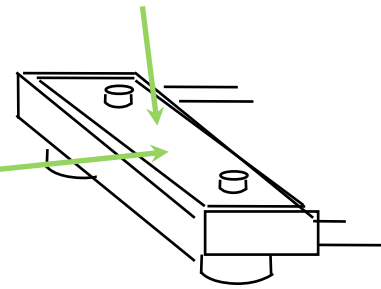


underside of rack frames have corresponding location holes

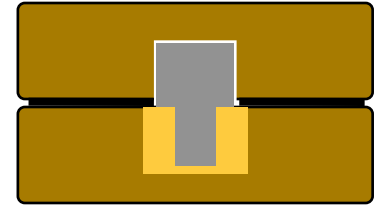
ensure separator pieces are used between every layer. Supplied with



threaded brass insert and steel machine bolt form location spigots



once located, rack frames simply drop into position and once in place are completely stable.



### ADJUSTMENTS AND CLEARANCES

Max component case height is 40mm less than useable internal height – allowing for 35mm height of coupler set and 5mm for clearance.

Keep clearance equal all round to ensure body of platform is not touching rack structure.

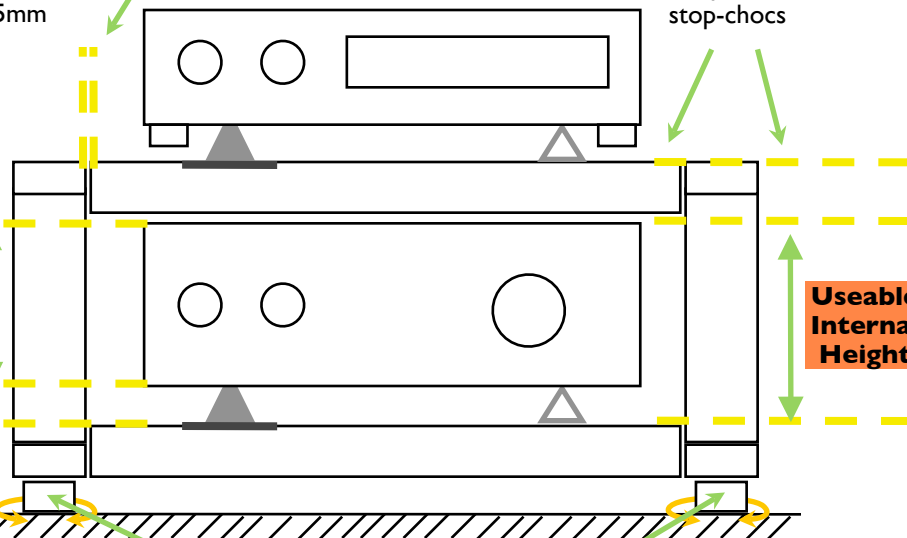
Adjust stop-chocks to lift platform top surface flush with rack or shoulder cap. Fine adjust to level. Keep load even on all stop-chocs

**Max Case Height**

**Useable Internal Height**

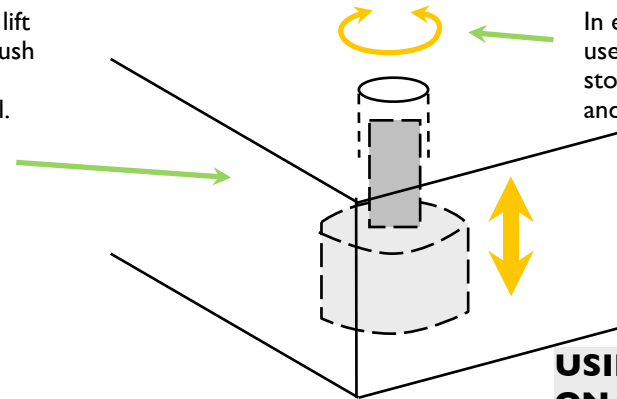
Coupler height 35mm

Rotate body of large stop-choc feet to level complete rack assembly



### PLATFORM LEVELING

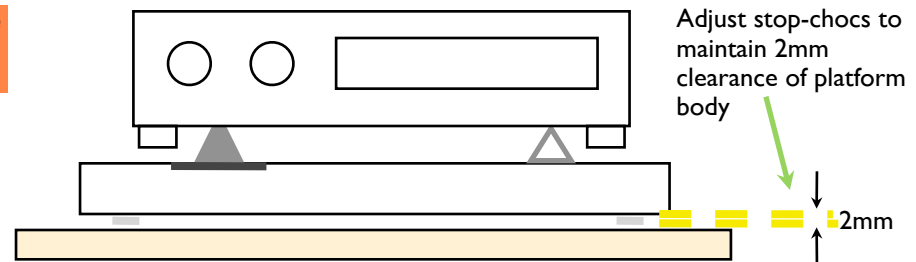
In each corner of platform use 6mm Allen key and rotate stop-choc foot to raise/lower and level platform.



### USING PLATFORMS ON OTHER SHELVES

Adjust stop-chocs to maintain 2mm clearance of platform body

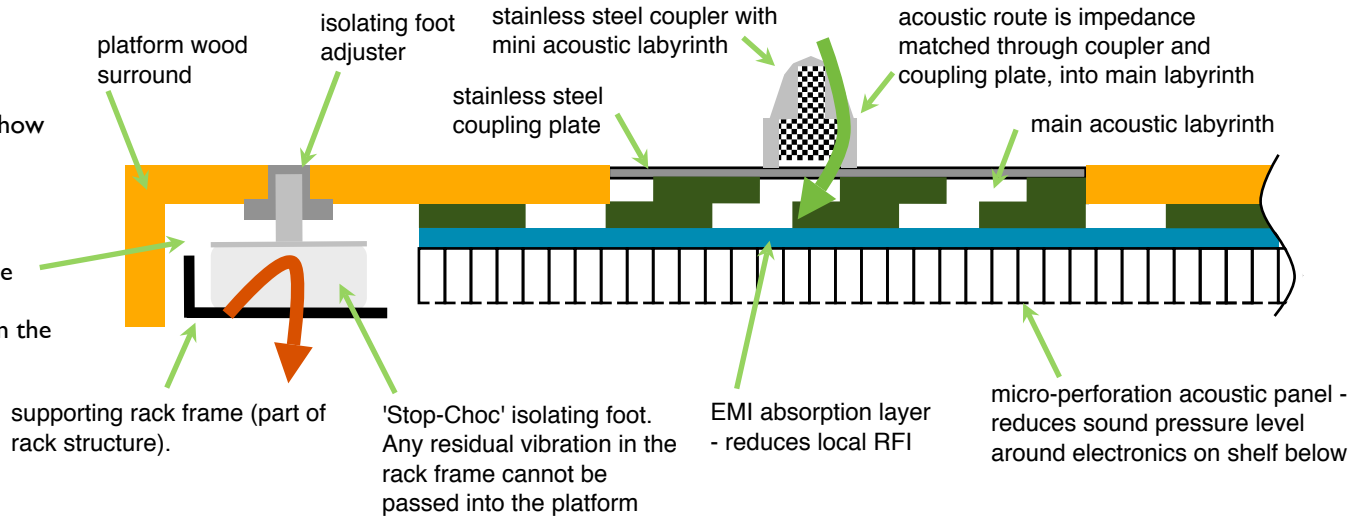
Non-LeadingEdge shelf or rack



# SETUP - COUPLING TRIPOD AND DECOUPLING CONES

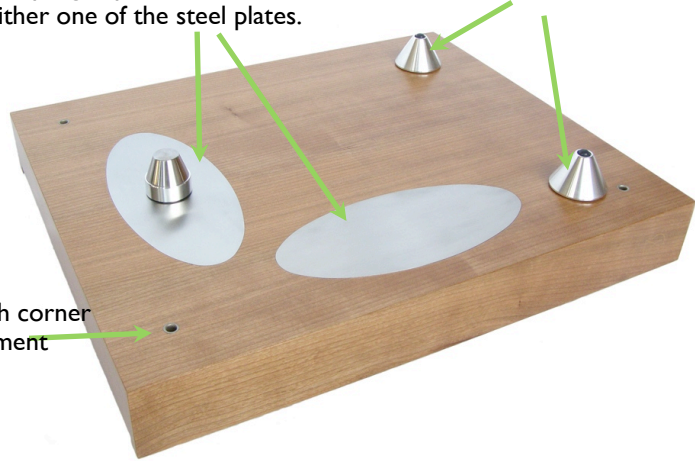
This is a schematic cross section of a platform showing how all the elements of the coupling tripod, internals of the platform and the stop-choc isolating feet.

Note that there is no contact between the rack and the platform, other than through the stop-choc feet. Also, the open sub-frame of the rack leaves the lower micro-perforation panel fully exposed to absorb acoustics from the air space below.

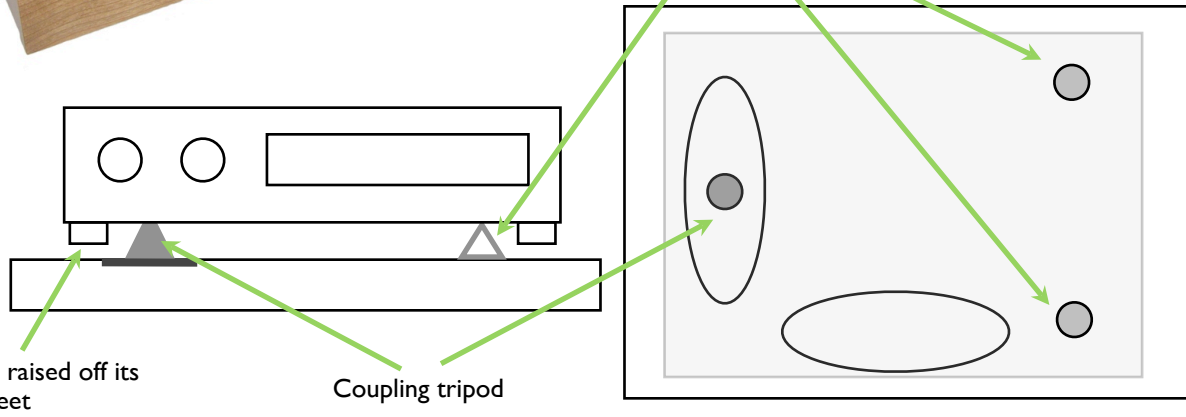
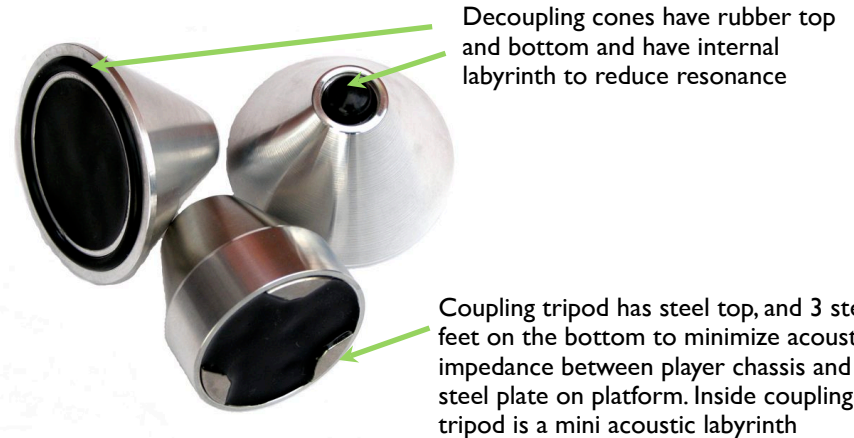


Coupling tripod can be used on either one of the steel plates.

Decoupling cones positioned to best support the component



Small hole in each corner for height adjustment and leveling

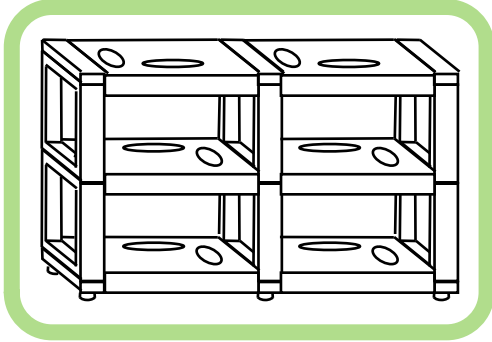


**RACK SIZE AND CONFIGURATION OPTIONS**

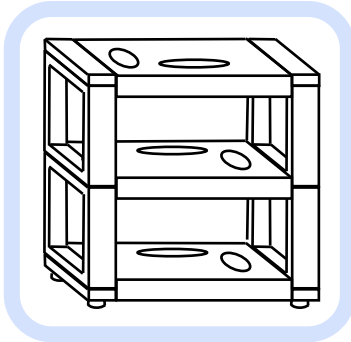
**Regular  
Single-width**



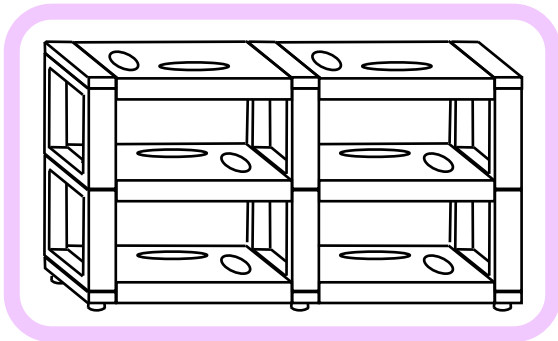
**Regular  
Double-width**



**Large  
Single-width**

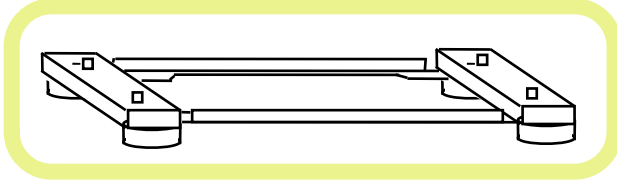


**Large  
Double-width**

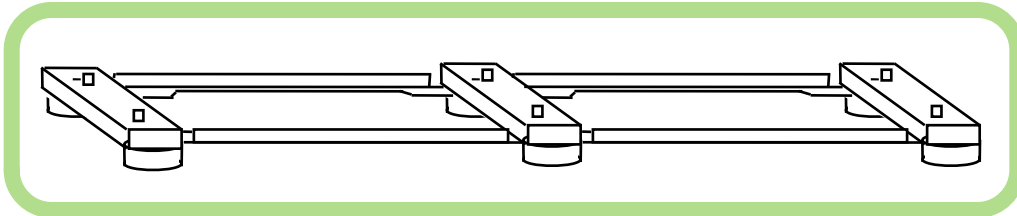


Rack Sizes and options	rack system	footprint (wxd)	max width and depth of electronics (wxd)
<p>There are 2 platform size choices and single-width or double-width rack options.</p> <p>Choose your requirement for number and size of electronic components and floor footprint, then use <b>colour coding</b> for selection of constituent parts.</p> <p>See 'racks' to determine shelf height options.</p> <p>Standard finish oak, cherry or mahogany with semi-gloss lacquer.</p>	<b>regular single width</b>	616x410	490x410
	<b>regular double-width</b>	1,172x410	490x410
	<b>large single width</b>	676x530	550x530
	<b>large double width</b>	1,292x530	550x530

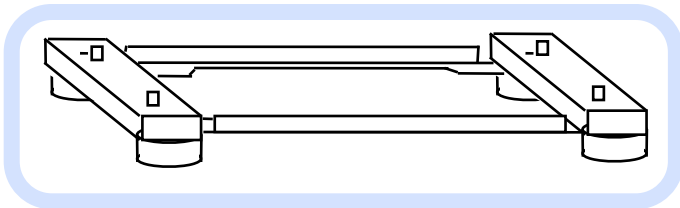
regular base rack single-width – BR1



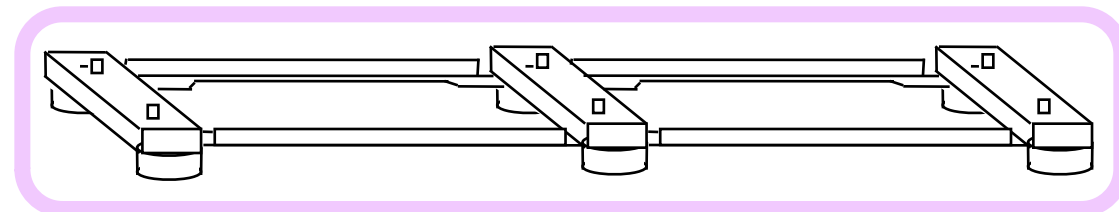
regular base rack double-width – BR2



large base rack single-width – BR3



large base rack double-width – BR4

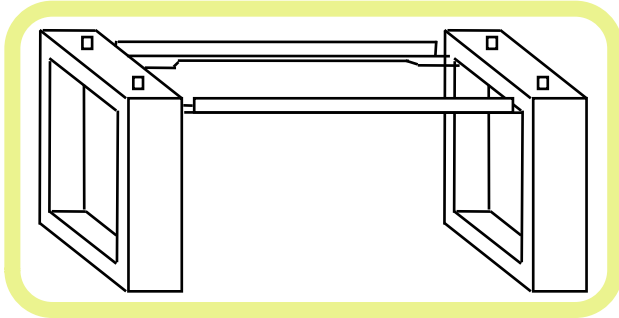


## BASE RACKS

base rack	ref	size	suggested sale price €
Wood side members, steel cross-struts.  Supplied with 2 or 3 compliant separator pieces and 4 or 6 large isolating feet.  Standard finishes - oak or cherry.	BR1	616x410x 60	1145.00
	BR2	1,172x410x60	1720.00
	BR3	676x530	1175.00
	BR4	1,292x530x60	1760.00

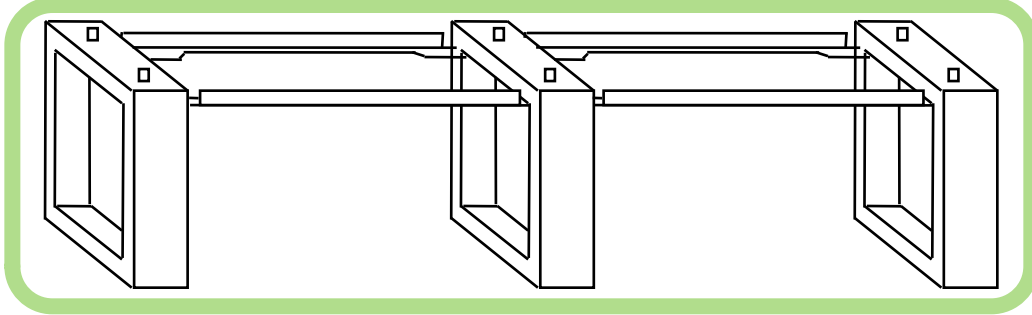
**RACK FRAMES**

**regular rack frame single-width – R1a, R1b, R1c**

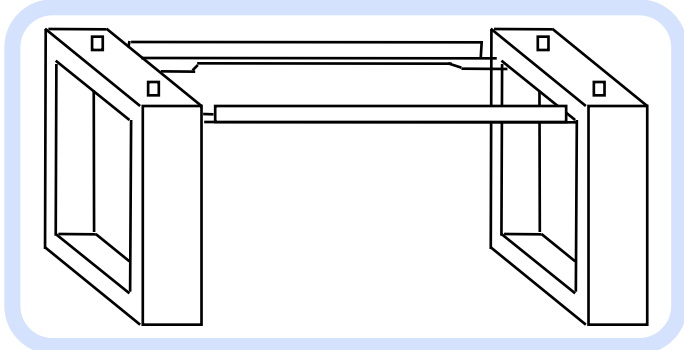


Single-width frames supplied with two compliant separator pieces. Double-width frames are supplied with three separator pieces.

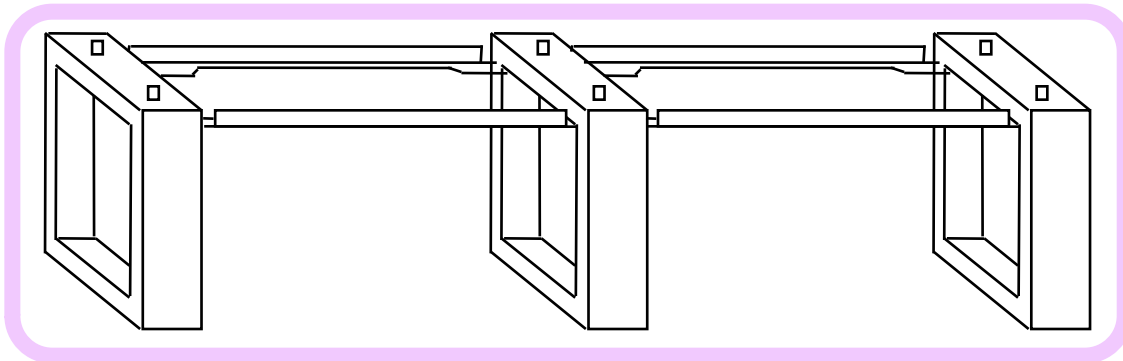
**regular rack frame double-width – R2a, R2b, R2c**



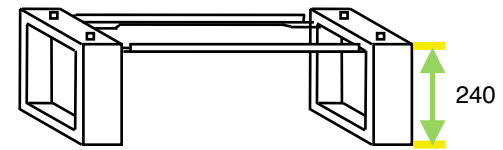
**large rack frame single-width – R3a, R3b, R3c**



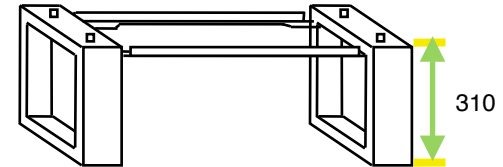
**large rack frame double-width – R4a, R4b, R4c**



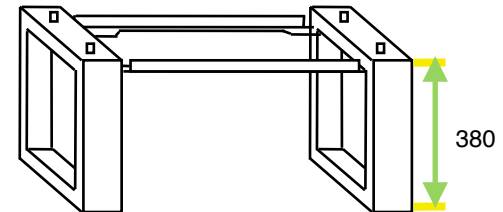
ref	size (wxdxh)	max case height	useable internal height	suggested sale price € (VAT ex)
R1a	616x410x240	140	180	850.00
R1b	616x410x310	210	250	862.00
R1c	616x410x380	280	320	874.00
R2a	1,172x410x240	140	180	1276.00
R2b	1,172x410x310	210	250	1294.00
R2c	1,172x410x380	280	320	1312.00
R3a	676x530x240	140	180	878.00
R3b	676x530x310	210	250	890.00
R3c	676x530x380	280	320	902.00
R4a	1,292x530x240	140	180	1316.00
R4b	1,292x530x310	210	250	1334.00
R4c	1,292x530x380	280	320	1352.00



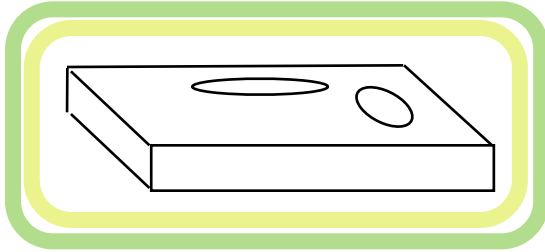
Example of racks R1a, R1b, R1c.



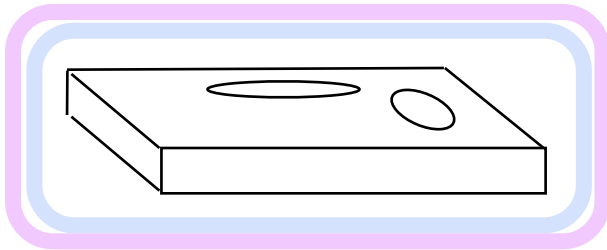
Select combination of rack heights, in chosen footprint size, to meet system requirements.



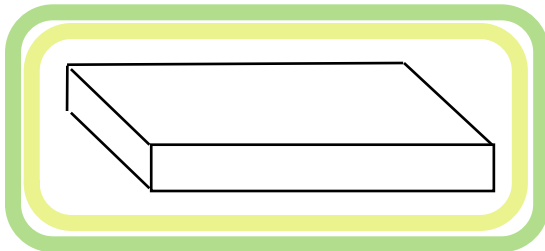
regular platform – PL1



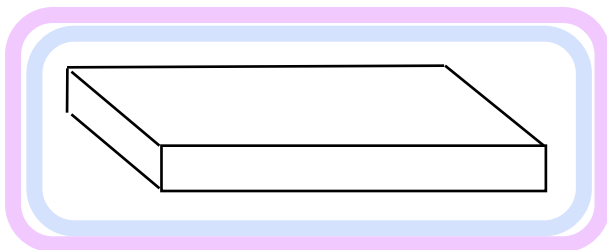
large platform – PL2



regular top-cover – TC1



large top-cover – TC2



**PLATFORMS AND TOP COVERS**

platform	ref	size (wxdxh)	use with	suggested sale price € (VAT ex)
Two stainless steel inserts and acoustic labyrinth, EMI absorption, micro-hole panel under, stop-choc isolating feet with adjusters. Standard finishes - oak or cherry	PL1	490x410x63	BR1, BR2, R1a, R1b, R1c, R2a, R2b, R2c	995.00
	PL2	550x530x63	BR3, BR4, R3a, R3b, R3c, R4a, R4b, R4c	1080,00

top cover	ref	size (wxdxh)	use with	suggested sale price € (VAT ex)
Same build as a platform but no stainless steel inserts and no labyrinth. But still contains EMI absorption, micro-hole panel under and stop-choc isolating feet with adjusters. Standard finishes - oak or cherry.	TC1	490X410X63	BR1, BR2, R1a, R1b, R1c, R2a, R2b, R2c	860.00
	TC2	550x530x63	BR3, BR4, R3a, R3b, R3c, R4a, R4b, R4c	882.00



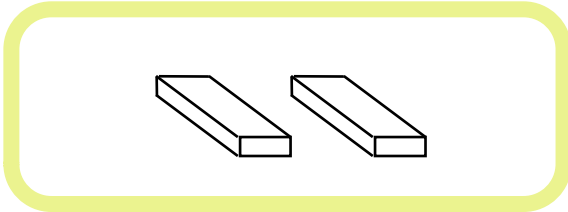
**COUPLER AND DECOUPLER SET AND SHOULDER CAPS**

**coupler and decouplers set – CDS1**

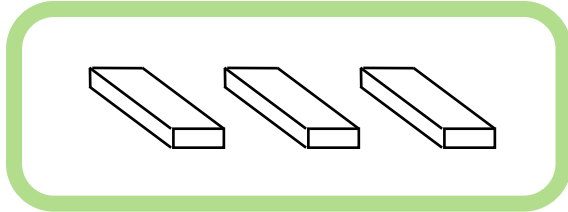


coupling tripod and two decoupling cones (set)	ref	size (h)	use with	suggested sale price €
Tripod high-carbon steel for correct impedance matching. Decoupling cones are aluminum. Both with mini acoustic labyrinth for resonance reduction	CDS1	35 mm	PL1, PL2	413.00

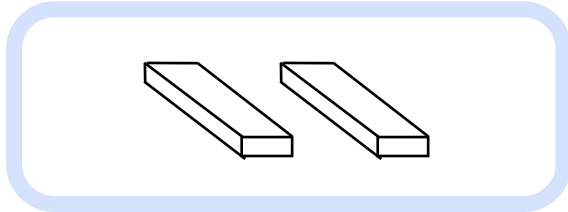
**shoulder caps regular pair – SC1**



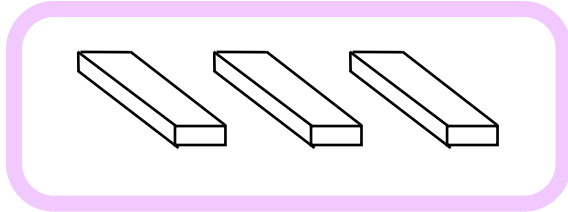
**shoulder caps regular three – SC2**



**shoulder caps large pair – SC3**



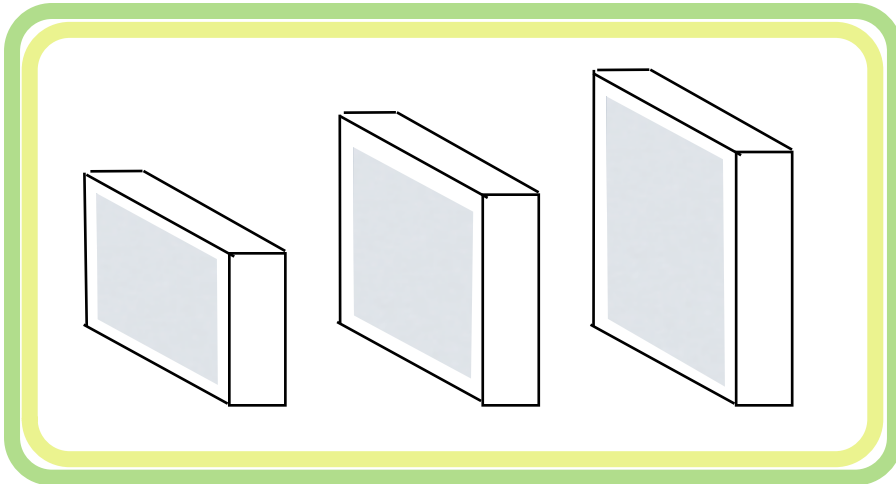
**shoulder caps large three – SC4**



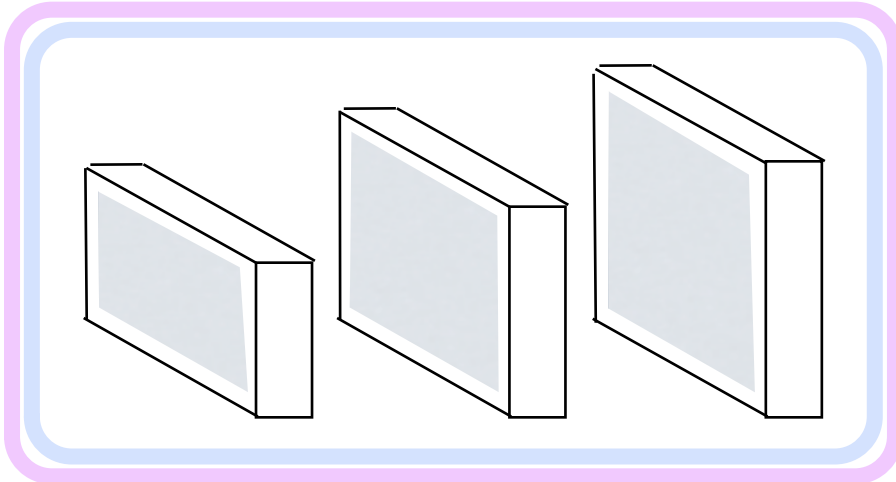
shoulder caps	ref	sizes (lxwxh)	use with	suggested sale price €
Wood side pieces to finish top of rack assembly. Standard finishes - oak or cherry.	SC1	410x60x30 (pair)	R1a, R1b, R1c	126.00
	SC2	410x60x30 (three)	R2a, R2b, R2c	190.00
	SC3	530x60x30 (pair)	R3a, R3b, R3c	140.00
	SC4	530x60x30 (three)	R4a, R4b, R4c	210.00

## MINI PANELS

mini panels regular – MP1a, MP1b, MP1c



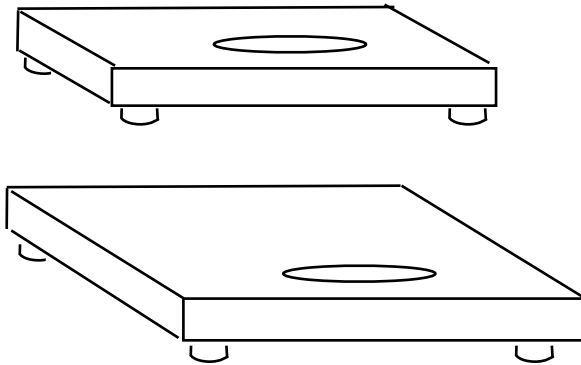
mini panels large – MP2a, MP2b, MP2c



mini-panels	ref	sizes (wxhxd)	use with	suggested sale price € (VAT ex)
Micro-hole surface on both sides. EMI absorptive layer within. Standard finishes - oak or cherry.  <b>Priced Individually</b>	MP1a	344x174x40	R1a, R2a	406.00
	MP1b	344x244x40	R1b, R2b	406.00
	MP1c	344x314x40	R1c, R2c	406.00
	MP2a	464x174x40	R3a, R4a	406.00
	MP2b	464x244x40	R3b, R4b	406.00
	MP2c	464x314x40	R3c, R4c	406.00

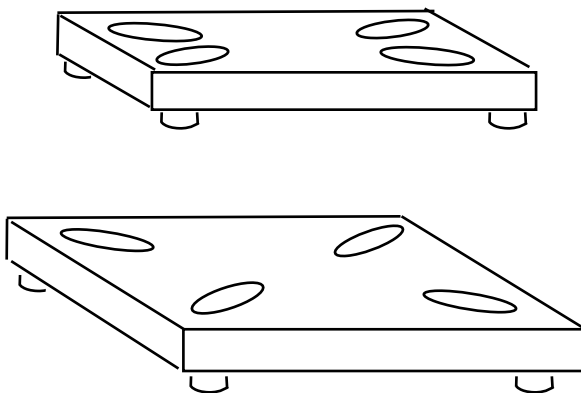
## AMP AND SPEAKER PLATFORMS

### amp platforms – AP1, AP2



amp platform - floor standing	ref	sizes (wxdxh)	suggested sale price € (VAT ex)
Single stainless steel insert and double-layer acoustic labyrinth plus EMI absorption. No micro-hole panel under.  Standard finishes - oak or cherry  <b>requires coupler set</b>	AP1	<b>380x380x63</b>	1395.00
	AP2	<b>500x500x63</b>	1435.00

### speaker platforms – SP1, SP2



speaker platform - floor standing	ref	sizes (wxdxh)	suggested sale price €
Four stainless steel insert and double-layer acoustic labyrinth plus EMI absorption. No micro-hole panel under.  Standard finishes - oak or cherry  <b>use speaker spikes but may require coupling discs – consult your dealer. solution depends on speaker type.</b>	SP1	<b>380x380x63</b>	1445.00
	SP2	<b>500x500x63</b>	1485.00

## ALL PLATFORM AND RACK COMPONENTS ENHANCED FINISH OPTIONS

### About Finishes on the LeadingEdge Rack and Platform components

In order to meet your customer's requirements for the overall finish and look of his LeadingEdge rack and platform system, you will need this information to advise and price all the available options.

#### I. Standard options.

The standard finish options that are available for all the rack and platform components (wooden parts) are:

- Light Oak
- Cherry
- Mahogany

There is no additional cost to the main pricing for any of these three finishes. With these finishes they have a semi-gloss lacquer over the standard veneers. You simply specify which standard veneer type you want for your order.

#### 2. Semi-gloss options with non-standard veneers or paint finishes.

You can have the parts finished in any normally available solid colour paint, or our range of fancy veneers (please enquire) with the semi-gloss lacquer applied over.

The semi-gloss finish is still glossy but it does not have the very deep gloss that is produced by the multiple layers of the piano gloss finish.

For this option you must apply the additional cost for EVERY ITEM that is required, as shown in the Semi-Gloss pricing.

#### 3. Piano-gloss options over all veneers or paint finishes.

You can have the parts finished in any normally available solid colour paint, or any available veneers (please enquire) with the piano-gloss lacquer applied over.

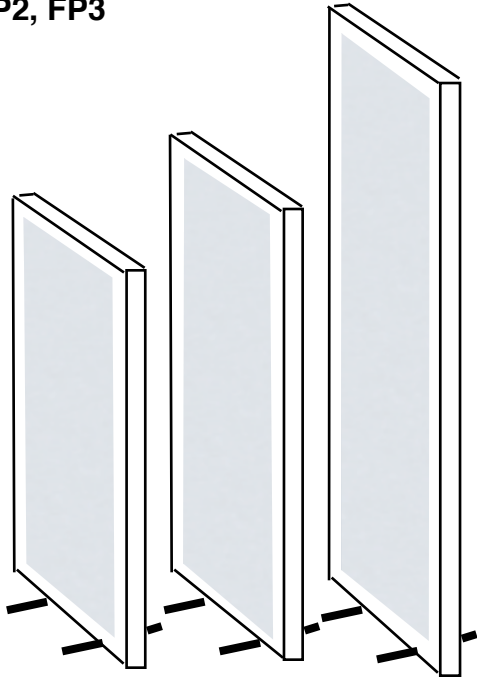
This is a very deep piano lacquer built up in layers with hand polishing at each stage.

For this option you must apply the additional cost for EVERY ITEM that is required, as shown in the Piano-Gloss pricing

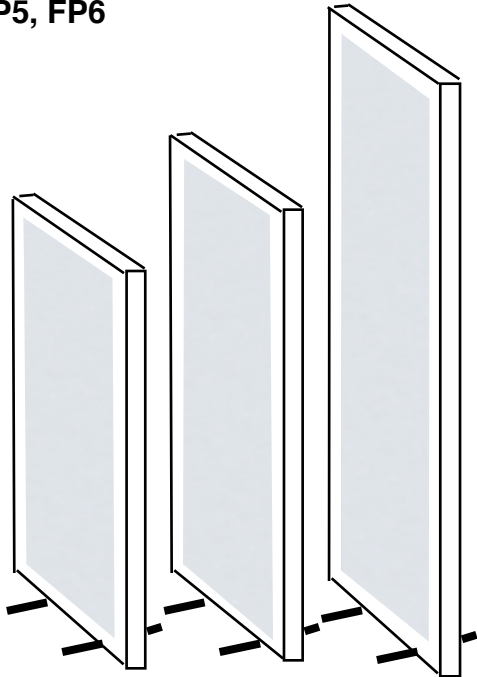
Semi-Gloss over colour paint and non-standard veneers	ref	Finish for these components	suggested sale price € (VAT ex)
Semi-gloss finish over any standard solid colour paint or non-standard veneers.  The semi-gloss finish is still glossy but it does not have the very deep gloss that is produced by the multiple layers of the piano gloss finish.  <b>Priced for each individual item in this finish</b>	SG1	<b>PL1/2, TC1/2, MP1/2, AP1/2, SP1/2</b>	166.00
	SG2	<b>R1/R3</b>	460.00
	SG3	<b>R2/R4</b>	690.00
	SG4	<b>SC1/3, BR1/3</b>	84.00
	SG5	<b>SC2/4, BR2/4</b>	125.00

Piano-Gloss over colour paint and all veneers	ref	Finish for these components	suggested sale price € (VAT ex)
Piano-gloss finish over any standard solid colour paint or non-standard veneers.  Very deep piano lacquer built up in layers with hand polishing at each stage.  <b>Priced for each individual item in this finish</b>	PG1	<b>PL1/2, TC1/2, MP1/2, AP1/2, SP1/2</b>	234.00
	PG2	<b>R1/R3</b>	700.00
	PG3	<b>R2/R4</b>	1050.00
	PG4	<b>SC1/3, BR1/3</b>	166.00
	PG5	<b>SC2/4, BR2/4</b>	250.00

flat acoustic panels, single-sided –  
FP1, FP2, FP3



flat acoustic panels, double-sided –  
FP4, FP5, FP6



FLAT ACOUSTIC PANELS

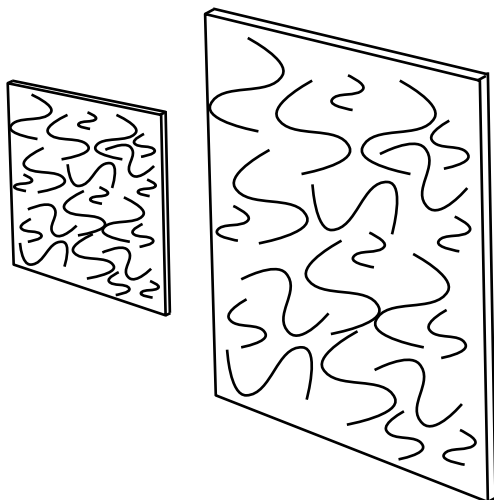
flat acoustic panel single sided (pair) - wall/ceiling mount	ref	sizes	suggested sale price € (VAT ex)
Flat micro-hole acoustic panel. Micro-hole surface on one side for wall/ceiling mount (light weight). Feet included.  <b>IMPORTANT: Priced, Packed and Shipped as a Pair</b>	FP1	<b>600x800</b>	870.00
	FP2	<b>600x1100</b>	1000.00
	FP3	<b>600x1600</b>	1390.00

Standard Finishes

Light Oak, Cherry, Mahogany,  
Off-white. Other colors available  
on request.

flat acoustic panel double sided (pair) - free-standing	ref	sizes	suggested sale price € (VAT ex)
Flat micro-hole acoustic panel. Micro-hole surface on both sides for free-standing use. Feet included.  <b>IMPORTANT: Priced, Packed and shipped as a Pair</b>	FP4	<b>600x800</b>	1020.00
	FP5	<b>600x1100</b>	1200.00
	FP6	<b>600x1600</b>	1630.00

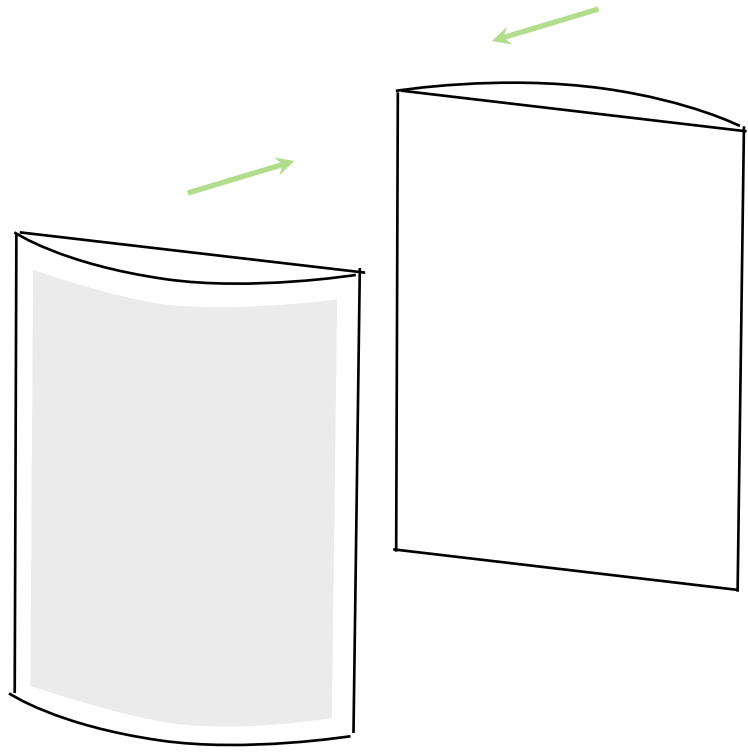
## spline diffuser – SD1, SD2



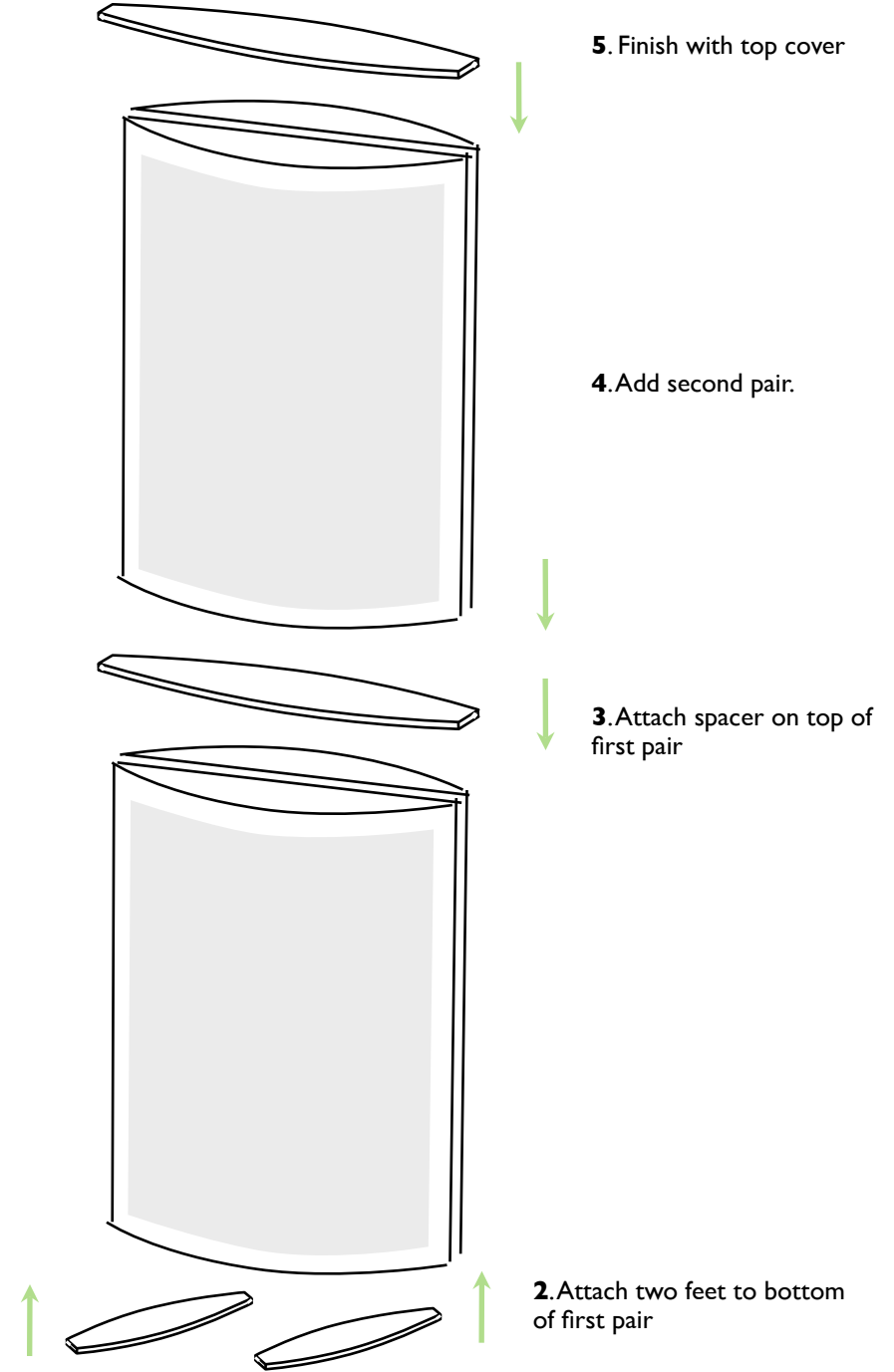
spline diffuser panel single sided	options (wxhxd)	ref	suggested sale price €
Three-dimensional diffuser based on spline mathematics. Plain/flat rear surface. Can be used back-to-back in pairs for free-standing use or singly for wall/ceiling mounting. Standard finishes - white or grey.	600x600x150	SD1	430.00
	1230x1230x200	SD2	1200.00

# SETUP - D-PANEL STACK

this process requires two persons



I. Place first two 'D' panels back-to-back

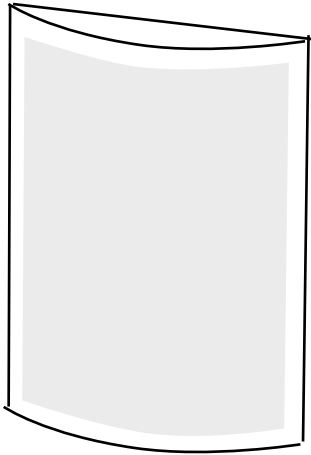


5. Finish with top cover

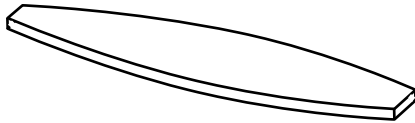
4. Add second pair.

3. Attach spacer on top of first pair

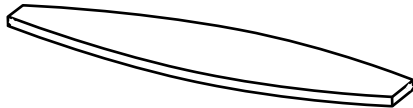
2. Attach two feet to bottom of first pair

**'D' ACOUSTIC PANELS****'D' Panel – DP1, DP2, DP3, DP4, DP5, DP6**

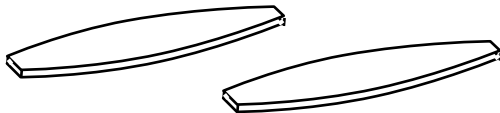
curved acoustic panel ('D' panel) - single sided	ref	sizes (wxh)	suggested sale price € (VAT ex)
Curved front with micro-hole acoustic surface. Plain/flat rear surface. Can be used back-to-back in pairs for free-standing use or singly for wall/ceiling mounting. Standard finishes - oak or cherry.	DP1	<b>600x800</b>	1405.00
	DP2	<b>600x1100</b>	1405.00
	DP3	<b>900x800</b>	1455.00
	DP4	<b>900x1100</b>	1455.00
	DP5	<b>1200x800</b>	1560.00
	DP6	<b>1200x1100</b>	1560.00

**double 'D' panel top cover – DPT1, DPT2, DPT3, DPT4**

Double 'D' panel top cover	ref	sizes	use with	suggested sale price € (VAT ex)
Top cover for use when 2 'D' panels are used back-to-back. Finished in grey.	DPT1	<b>620x170x20</b>	DP1, DP2	180.00
	DPT2	<b>920x215x20</b>	DP3, DP4	200.00
	DPT3	<b>1220x270x20</b>	DP5, DP6	230.00

**double 'D' panel stack spacer – DPS1, DPS2, DPS3, DPS4**

D' panel - quad stack spacer	ref	sizes	use with	suggested sale price € (VAT ex)
Spacer for use when 4 'D' panels are stacked. Finished in grey.	DPS1	<b>620x170x20</b>	DP1, DP2	180.00
	DPS2	<b>920x215x20</b>	DP3, DP4	200.00
	DPS3	<b>1220x270x20</b>	DP5, DP6	230.00

**double 'D' panel feet pair – DPF1**

Double 'D' panel feet - pair	ref	sizes	use with	suggested sale price € (VAT ex)
Feet for use when 2 'D' panels are used back-to-back. Finished in grey.	DPF1	500x100x24	DP1, DP2, DP3, DP4	340.00